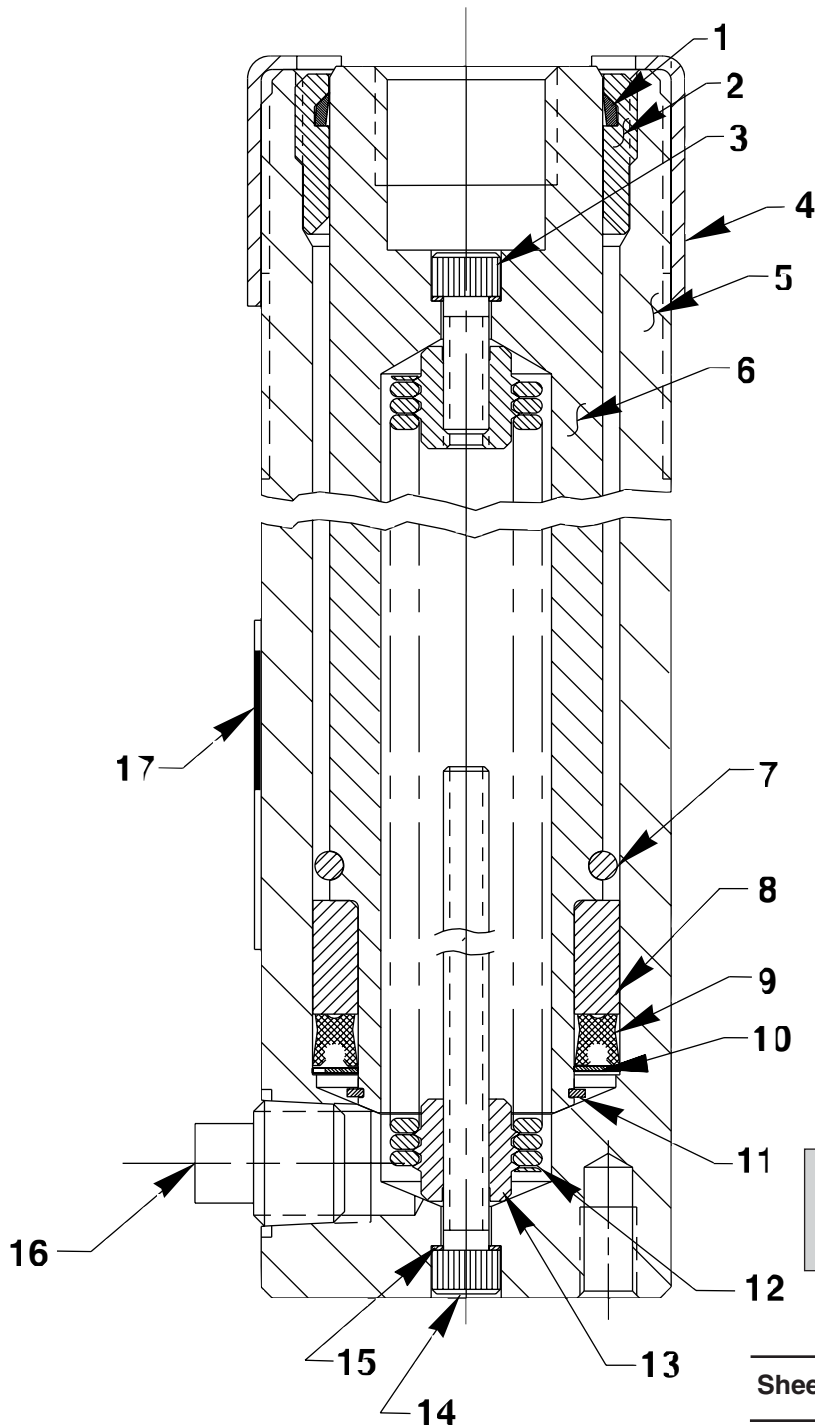


MODEL B SINGLE-ACTING, SPRING RETURN HYDRAULIC CYLINDER

Maximum Capacity: 11.2 Ton (101,2 kN) at 10,000 PSI (700 Bar)



Note: Shaded areas reflect last revision(s) made to this form.

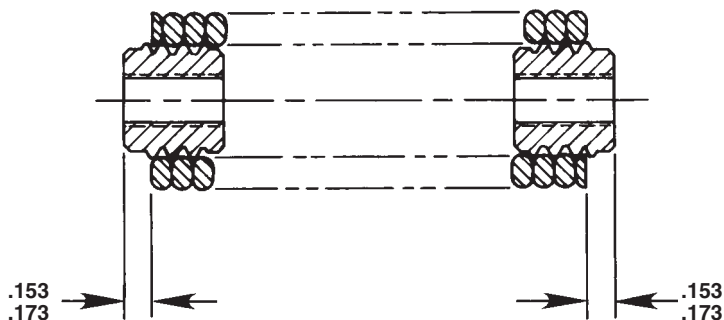
Item No.	Part No.	No. Req'd	Description
1	*201429	1	Rod Wiper
2	351051	1	Retainer Nut (Torque to 90/100 in. lbs.)
3	10006	1	Socket Head Screw (1/4-20 UNC X 5/8 Lg.; Torque to 90/110 in. lbs.)
4	36146	1	Thread Protector
5	420810	1	Cylinder Body
6	421073	1	Piston Rod
7	201433	1	Internal Retaining Ring
8	201364	1	Piston Head (Assemble with groove toward shoulder)
9	213660	1	U-cup
10	213659	1	Retainer Washer
11	*16076	1	Retaining Ring (For 1-3/16" shaft)
12	201432	1	Spring (1/2 I.D. X 9-3/4" Lg.; Stretch, clean & lubricate before assembly.)
13	201360	2	Spring Retainer
14	16064	1	Socket Head Screw (1/4-20 X 3-1/2" Lg.; Torque to 90/110 in. lbs.)
15	*10442	2	Copper Washer (3/8 X 1/4 X 1/32)
16	11127	1	Plug Fitting (3/8 NPTF)
17	*203908	1	Warning Decal



Part numbers marked with an asterisk (*) are contained in Standard Repair Kit No. 300116.

SPRING & RETAINER ASSEMBLY

The spring must not extend beyond the threads of the spring retainer on either end. Stretch, clean and lubricate the spring before assembly.



Note: Spring & Retainer Assembly added at last revision(s) made to this form.

Refer to any operating instructions included with this product for detailed information about operation, testing, disassembly, reassembly, and preventive maintenance.

Items found in this parts list have been carefully tested and selected. **Therefore: Use only genuine Power Team replacement parts!**

Additional questions can be directed to our Technical Services Department.