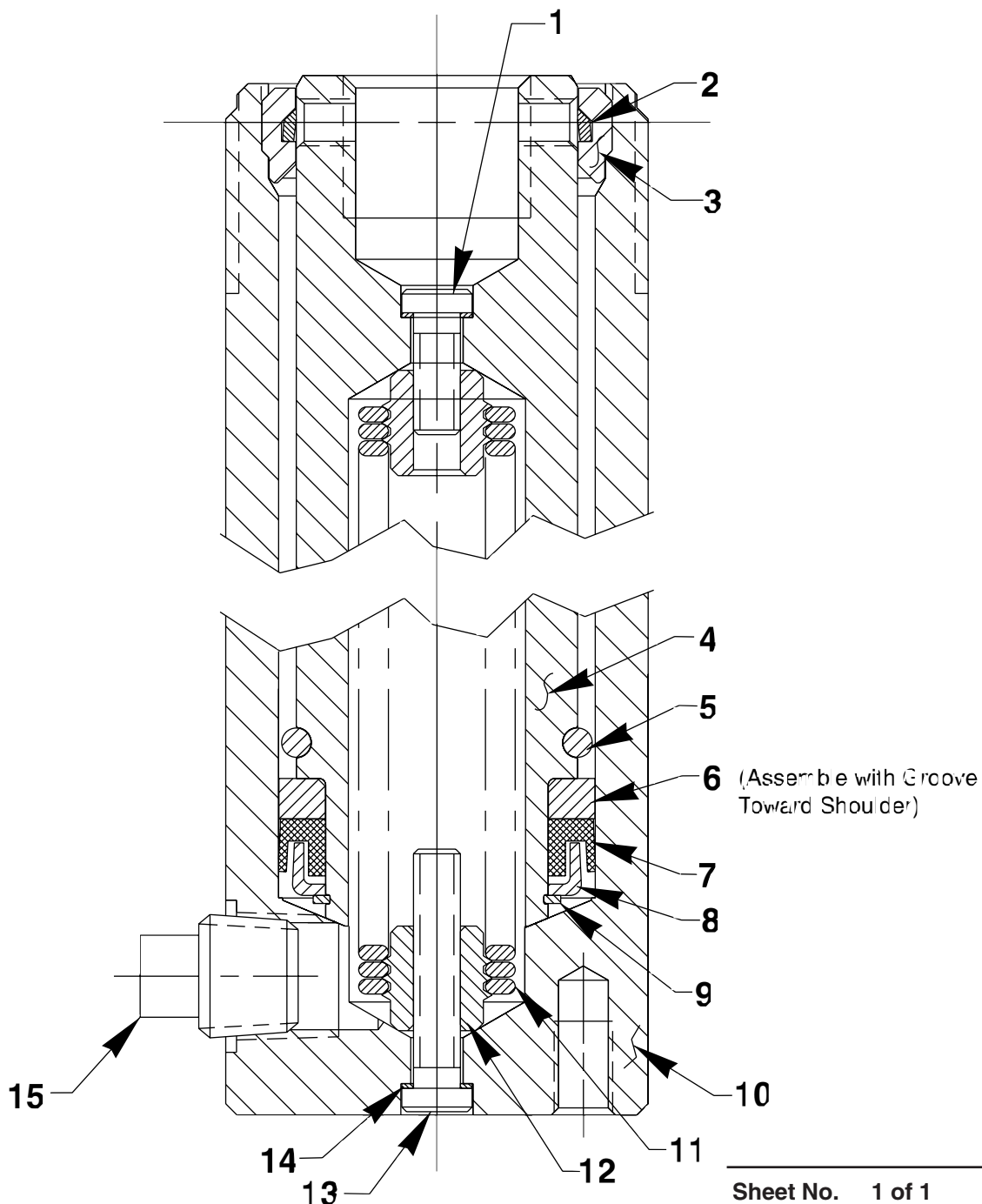


MODEL C SINGLE-ACTING, SPRING RETURN HYDRAULIC CYLINDER

Maximum Capacity: 10 Ton at 10,000 PSI



Item No.	Part No.	No. Req'd	Description
1	10006	1	Socket Head Cap Screw (1/4-20 UNC X 5/8 Lg.; Torque to 90/100 in.)
2	201429	1	Wiper Rod
3	351030	1	Retainer Nut (Torque to 90/100 in. lbs.)
4	421558	1	Piston Rod
5	201433	1	Retainer Ring
6	201363	1	Piston Head
7	16067	1	U-cup
8	201359	1	Slip Retainer
9	16076	1	Retainer Ring (For 1-3/16" Shaft)
10	43113	1	Cylinder Body
11	204250	1	Extension Spring
12	201360	2	Retainer Spring
13	10020	1	Socket Head Cap Screw (1/4-20 UNC X 1-1/4" Lg.; Torque to 90/110 in. lbs.)
14	10442	2	Copper Washer (3/8 X 1/4 X 1/32)
15	211061	1	Plug Fitting (3/8 NPTF)

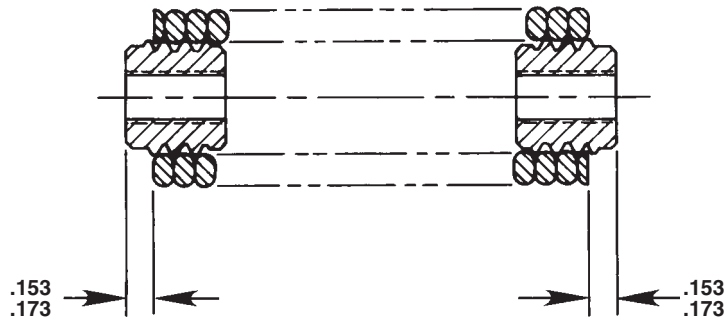
PARTS INCLUDED BUT NOT SHOWN

251451	1	Warning Decal
--------	---	---------------



SPRING & RETAINER ASSEMBLY

The spring must not extend beyond the threads of the spring retainer on either end. Stretch, clean and lubricate the spring before assembly.



Refer to any operating instructions included with this product for detailed information about operation, testing, disassembly, reassembly, and preventive maintenance.

Items found in this parts list have been carefully tested and selected. **Therefore: Use only genuine Power Team replacement parts!**

Additional questions can be directed to our Technical Services Department.