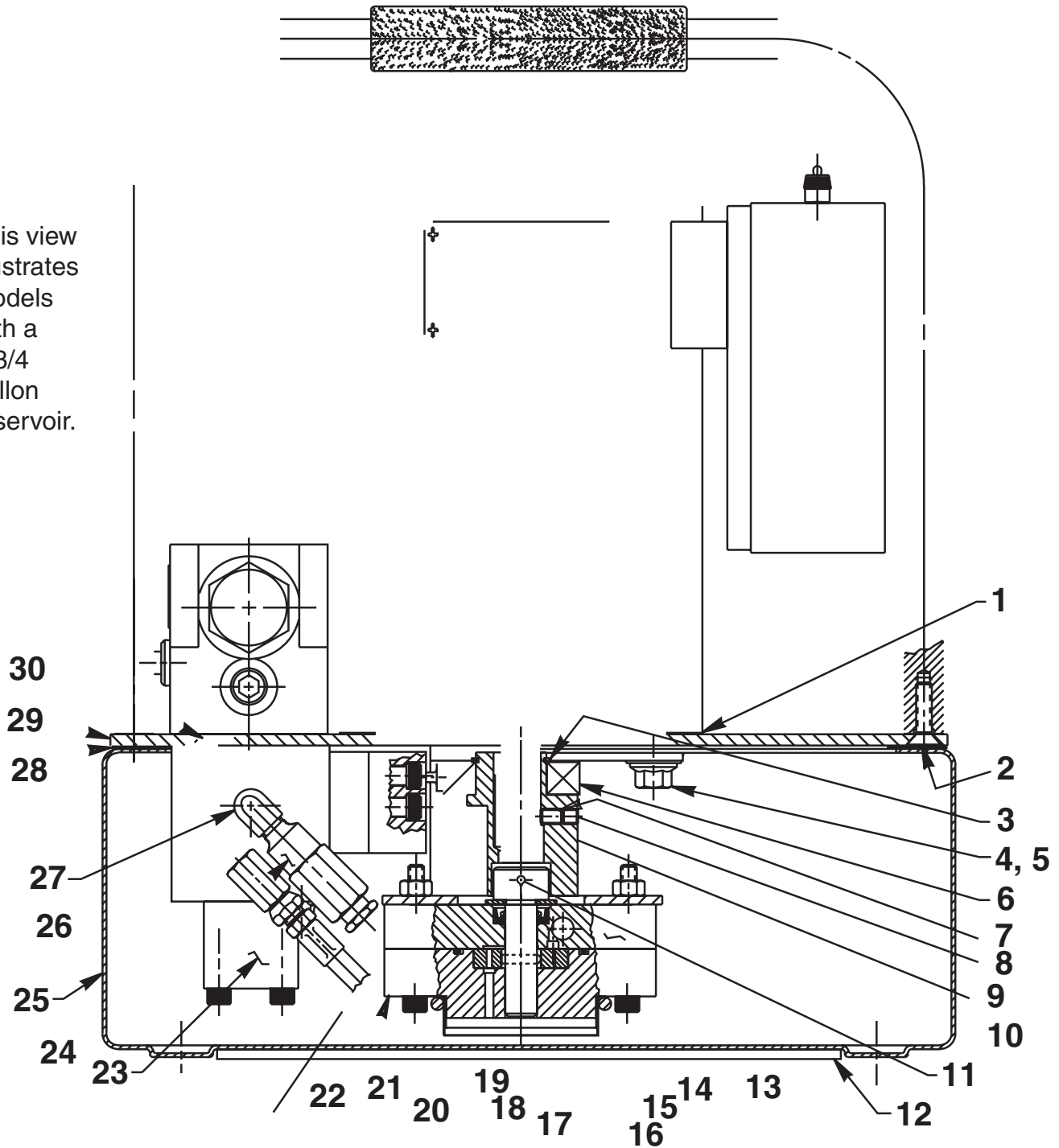


Parts List for:

- PE302-JKT
- PE302A
- PE302A-2
- PE302A-220
- PE302A-2-220

MODEL B ELECTRIC HYDRAULIC PUMP Max. Capacity: 10,000 PSI

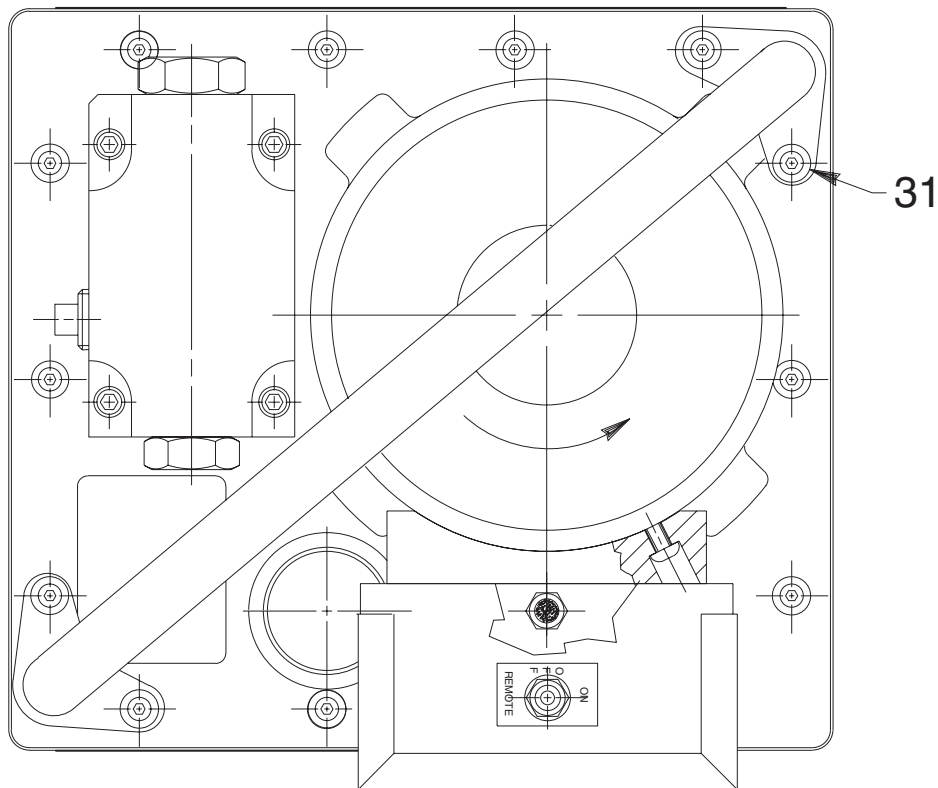
This view illustrates models with a 1-3/4 gallon reservoir.



-.001
.010 Clearance Required

Sheet No.	1 of 6
Rev. 3	Date: 10 June 1999

Parts List, Form No. 101857, Back sheet 1 of 6

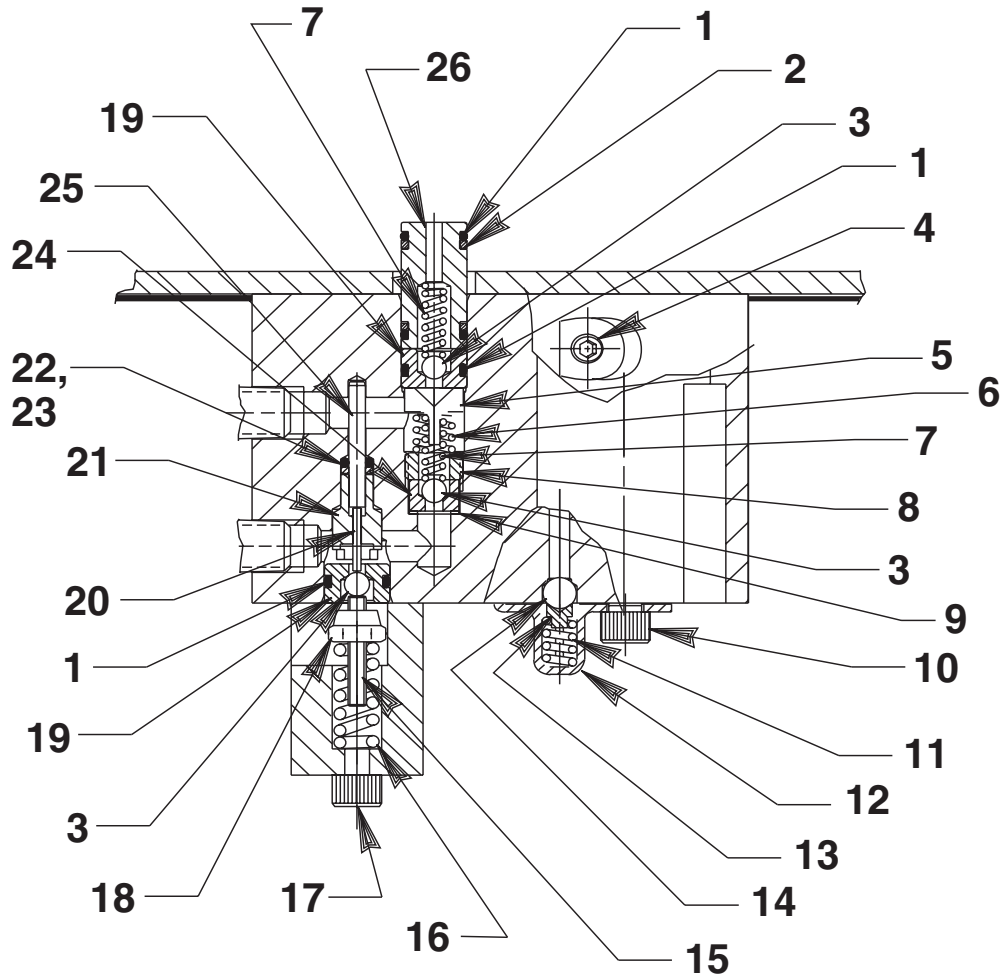


This view illustrates the handle orientation, and its mounting, on models with a one gallon reservoir.

Item No.	Part No.	No. Req'd	Description
1	351060	1	Motor Base Gasket
2	11529	4	Cap Screw (1/4-20 UNC x 3/4 Lg.; Apply Loctite No. 242 or equiv - For PE302A-2 & PE302A-2-220)
3	209798	1	Retaining Ring
4	213663	4	Cap Screw (3/8-16 UNC X 1" Lg.; Torque 230/250 in. lbs.)
5	10258	4	Washer (For 3/8 bolt)
6	209805	1	Ball Bearing
7	10136	1	Set Screw (1/4-20 UNC x 1/4 Lg.; Torque to 60/80 in. lbs.)
8	10519	1	Set Screw (1/4-20 UNC X 3/8 Lg.; Torque to 60/80 in. lbs.)
9	420840	1	Eccentric
10	10199	2	Hex Nut (1/4-20 UNC)
11	12298	1	Roll Pin (3/16 dia. x 1-1/2" Lg.)
12	420427	1	Rubber Pad (For PE302A-2 & PE302A-2-220)
	420948	1	Rubber Pad (For PE302-JKT, PE302A & PE302A-220)
13	64623	1	Upper Gerotor Housing
14	10922	1	O-ring (2-1/8" X 1-15/16" X 3/32)
15	304826	1	Gerotor
16	209794	1	Gerotor Drive Pin
17	350940	1	Gerotor Shaft
18	21846	1	Filter Support
19	304830	1	Oil Seal

Item No.	Part No.	No. Req'd	Description
20	12595	1	Washer (1-1/8" X 1/2 X .077 Thk.)
21	10022	4	Screw (1/4-20 UNC X 1-1/2" Lg.; Torque to 180/200 in. lbs.)
22	64580	1	Gerotor Housing
23	350930	1	Retaining Block
24	21278	1	Relief Valve Assembly (Set at 10,100/10,700 PSI)
25	64665OR9	1	Reservoir (1 Gal. - For PE302-JKT, PE302A & PE302A-220)
	64241OR9	1	Reservoir (2 Gal. - For PE302A-2 & PE302A-2-220)
26	64612	1	Check Body
27	13229	1	Street Elbow
28	420931	1	Reservoir Gasket (For PE302-JKT, PE302A & PE302A-220)
	420424	1	Reservoir Gasket (For PE302A-2 & PE302A-220, PE302A-2-220)
29	64666BK2	1	Cover Plate (For PE302-JKT PE302A & PE302A-220)
	64579BK2	1	Cover Plate (For PE302A-2 & PE302-2-220)
30	11529	2	Screw (1/4-20 UNC x 3/4 Lg.)
31	15911	4	Cap Screw (1/4-20 5/8 Lg.; Apply Loctite No. 242 or equiv. and torque to 60/80 in. lbs.; For PE203-JKT, PE302A & PE302A-220)

HIGH PRESSURE PUMP ASSEMBLY

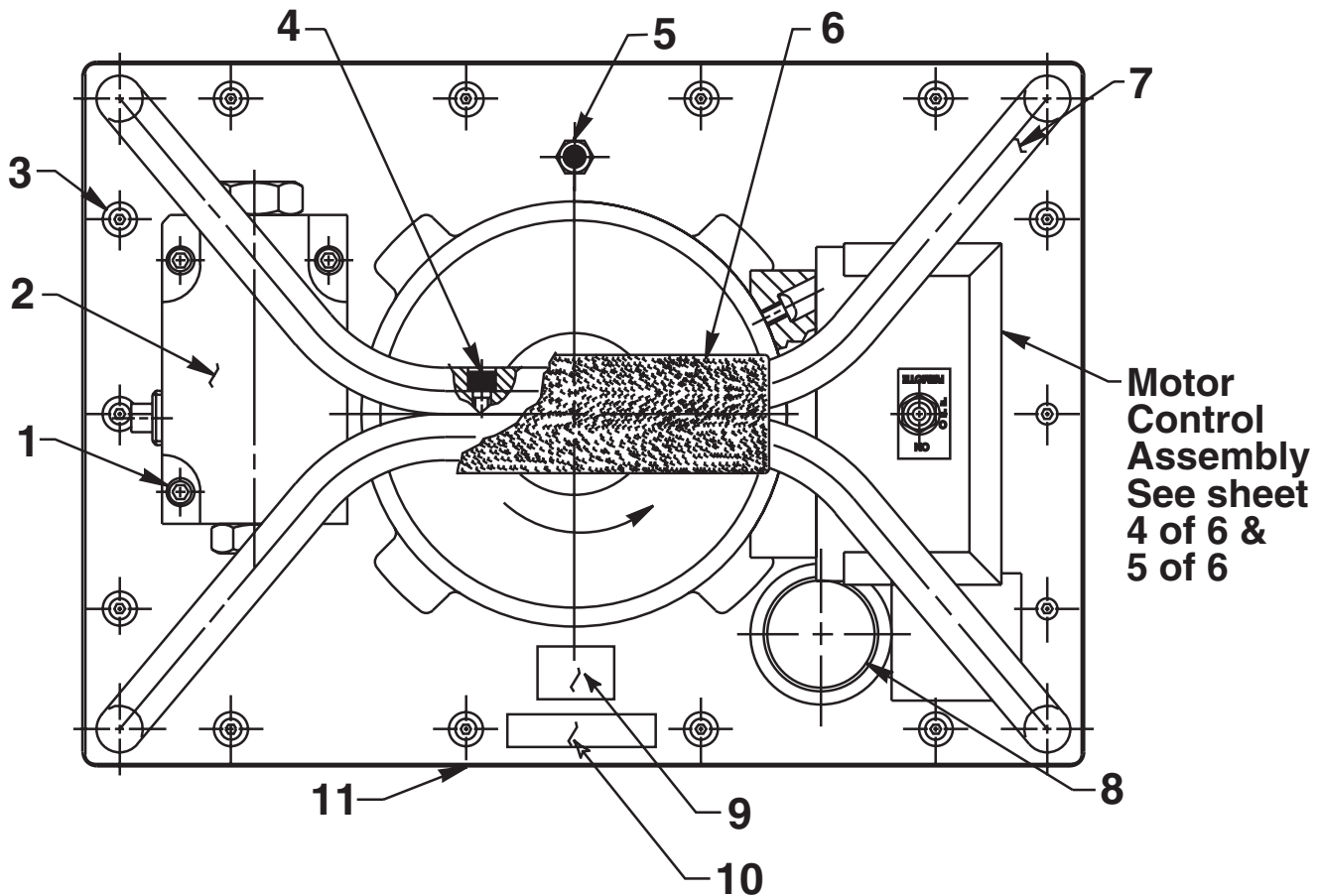


Item No.	Part No.	No. Req'd	Description
1	10268	4	O-ring (1/2 X 3/8 X 1/16)
2	11863	2	Backup Washer (1/2 X 3/8 X 1/16)
3	12223	4	Ball (3/16 Dia.)
4	15130	1	Plug (1/16 NPTF)
5	251601	1	Outlet Ball Stop
6	10444	1	Compression Spring (3/16 I.D. X 13/32 Lg.)
7	10445	1	Compression Spring (5/32 O.D. X 3/4 Lg.)
8	209797	1	Hollow Lock Screw (7/16-20 UNF-3A; Torque to 110/130 in. lbs.)
9	10442	1	Washer (3/8 X 1/4 X 1/32)
10	10002	1	Cap Screw (1/4-20 UNC X 3/8 Lg.; Torque to 60/80 in. lbs.)
11	15691	1	Compression Spring (1/4 O.D. X 5/8 Lg.)
12	350577	1	Spring Retainer

Item No.	Part No.	No. Req'd	Description
13	200796	1	Adapter
14	10374	1	Steel Ball (7/32 Dia.)
15	251067	1	Set Screw (Unloading valve; #10-24 UNC x 1" Lg.)
16	14484	1	Compression Spring (3/8 O.D. X 1" Lg.)
17	10854	2	Cap Screw (1/4-20 UNC X 1-3/4" Lg.; Torque to 60/80 in. lbs.)
18	207405	1	Locknut (10-24 UNC)
19	251065	2	Replaceable Seat
20	251611	1	Dowel Pin (5/8 X 1/2 Lg.)
21	251068	1	Guide
22	17797	1	O-ring (1/4 X 1/8 X 1/16)
23	214992	1	Backup Ring (15/64 x 1/8 x 3/64)
24	209787	1	Replaceable Seat
25	16471	1	Dowel Pin (1/8 dia. x 1" Lg.; Taper on pin should be away from guide [Item #21].)
26	251581	1	Bushing

Note: Shaded areas reflect last revision(s) made to this form.

TOP VIEW



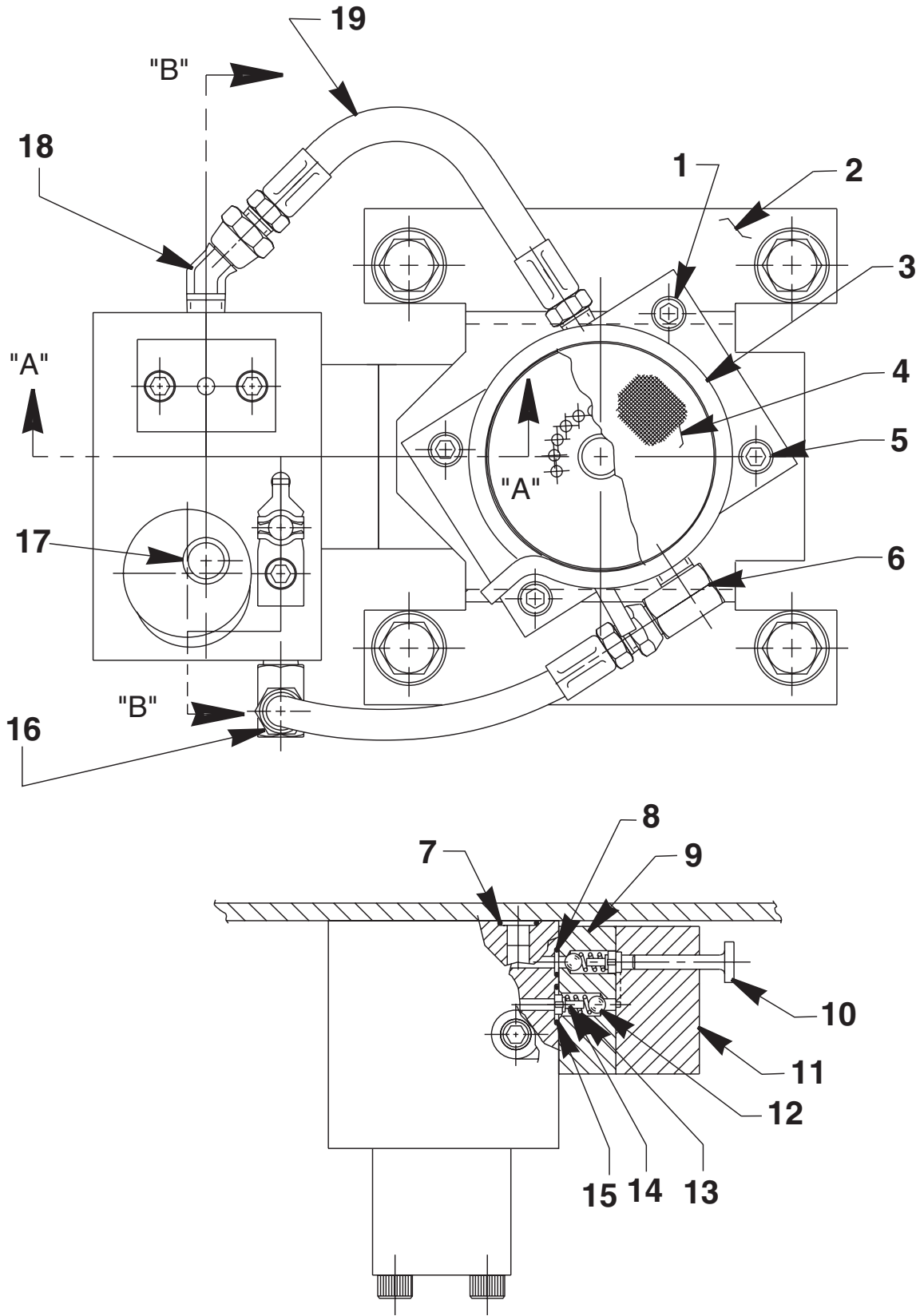
Item No.	Part No.	No. Req'd	Description
1	10890	4	Cap Screw (1/4-20 X 2" Lg.)
2	9610	1	Automatic Valve Assembly (For all except PE302-JKT; See Form No. 101200)
3	10177	14	Cap Screw (1/4-20 X 3/4 Lg.; Torque to 60/80 in. lbs. Note: On models with a one gallon reservoir, four of these mount the handle also [see back sheet 1 of 4].)
4	10008	2	Cap Screw (For PE302A-2 & PE302A-2-220 only)
5	251599	1	Breather Filter Vent
6	251600	1	Handle Grip (For PE302A-2 & PE302-2-220 only)
7	64677BK2	1	Handle (For PE302-JKT, PE302A & PE302A-220)
	64582BK2	1	Roll Cage Frame (For PE302A-2 & PE302A-2-220)
8	350925	1	Filler Cap
9	203972	1	Decal, Logo CSA
10	213695	1	Decal, Intermittent Duty
11	309219	2	Trade Name Decal (For PE302-JKT, PE302A & PE302A-220)
	309221	2	Trade Name Decal (For PE302A-2 & PE302-2-220)

Refer to any operating instructions included with this product for detailed information about operation, testing, disassembly, reassembly, and preventive maintenance.

Items found in this parts list have been carefully tested and selected. **Therefore: Use only genuine Power Team replacement parts!**

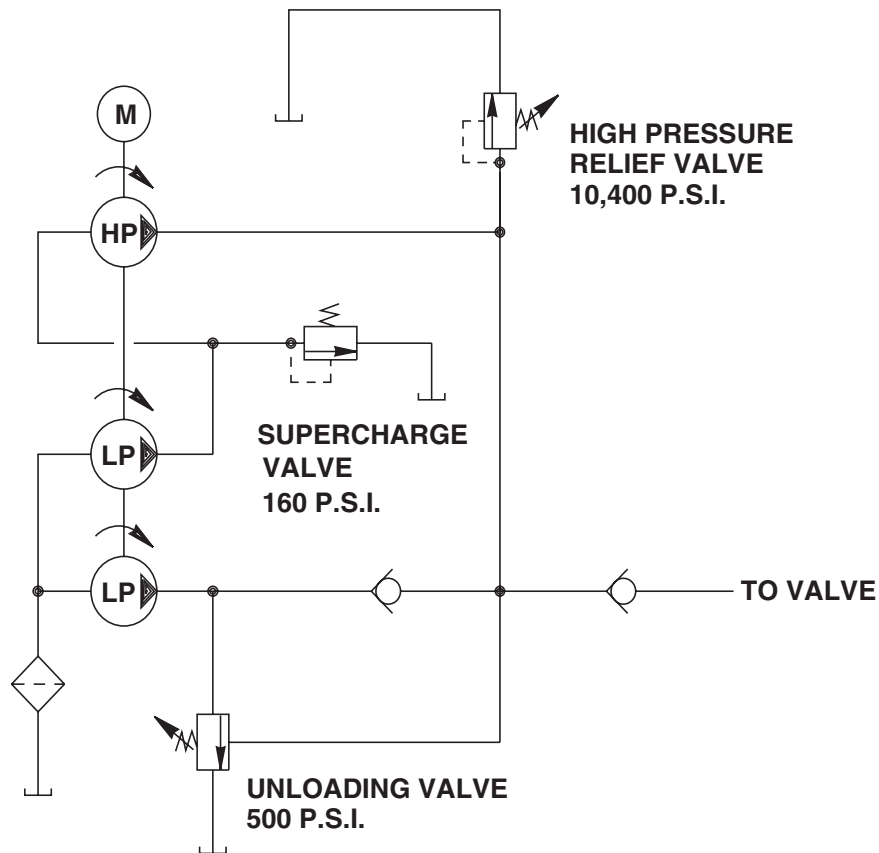
Additional questions can be directed to our Technical Services Department.

BOTTOM VIEW AND SECTION A-A



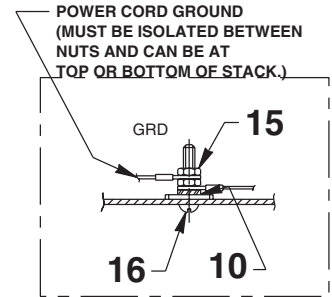
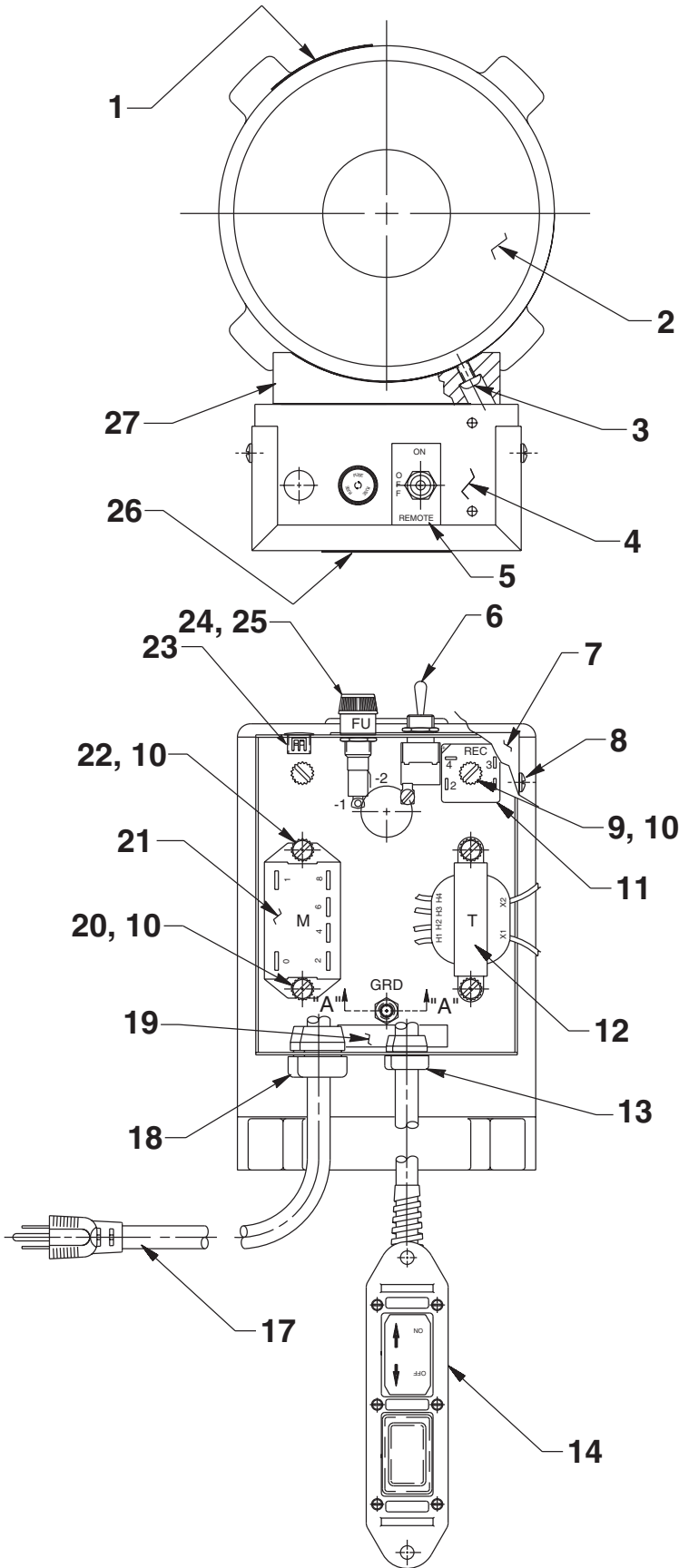
Item No.	Part No.	No. Req'd	Description	Item No.	Part No.	No. Req'd	Description
1	10022	2	Cap Screw (1/4-20 UNC X 1-1/2" Lg.; Torque to 60/80 in. lbs.)	11	45866	1	Block
2	58481	1	Gerotor Housing Bracket	12	12223	1	Ball (3/16 Dia.)
3	11461	1	Hose Clamp	13	10445	2	Compression Spring (5/32 O.D. X 3/4 Lg.)
4	21608	1	Filter	14	24549	2	Ball Guide
5	10890	2	Cap Screw (1/4-20 UNC X 2" Lg.; Torque to 60/80 in. lbs.)	15	14763	1	O-ring (7/16 X 5/16 X 1/16)
6	14440	1	90° Elbow Fitting	16	13229	1	Elbow
7	15279	1	O-ring (1/2 X 3/8 X 1/16)	17	250630	1	Drain Tube
8	10265	1	O-ring (5/16 X 3/16 X 1/16)	18	251800	1	Elbow Fitting
9	45559	1	Block	19	304819	2	Hose Assembly
10	305526	1	High Pressure Piston				

HYDRAULIC SCHEMATIC



MOTOR & CONTROL ASSEMBLY

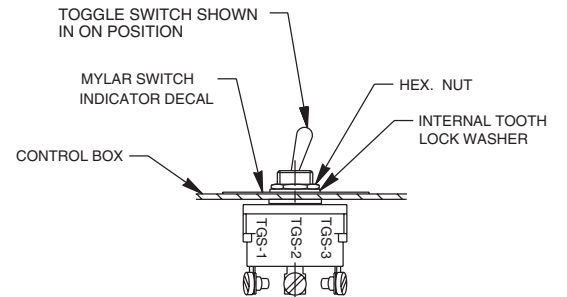
110/115 V., 50/60 Hz.



POWER CORD GROUND
(MUST BE ISOLATED BETWEEN
NUTS AND CAN BE AT
TOP OR BOTTOM OF STACK.)

NOTE: SERRATED LOCK WASHER
MUST BE ADJACENT TO
METAL BOX. MORE WASHERS
CAN BE USED IF DESIRED.

VIEW "A-A"



Parts List, Form No. 101857, Back sheet 4 of 6

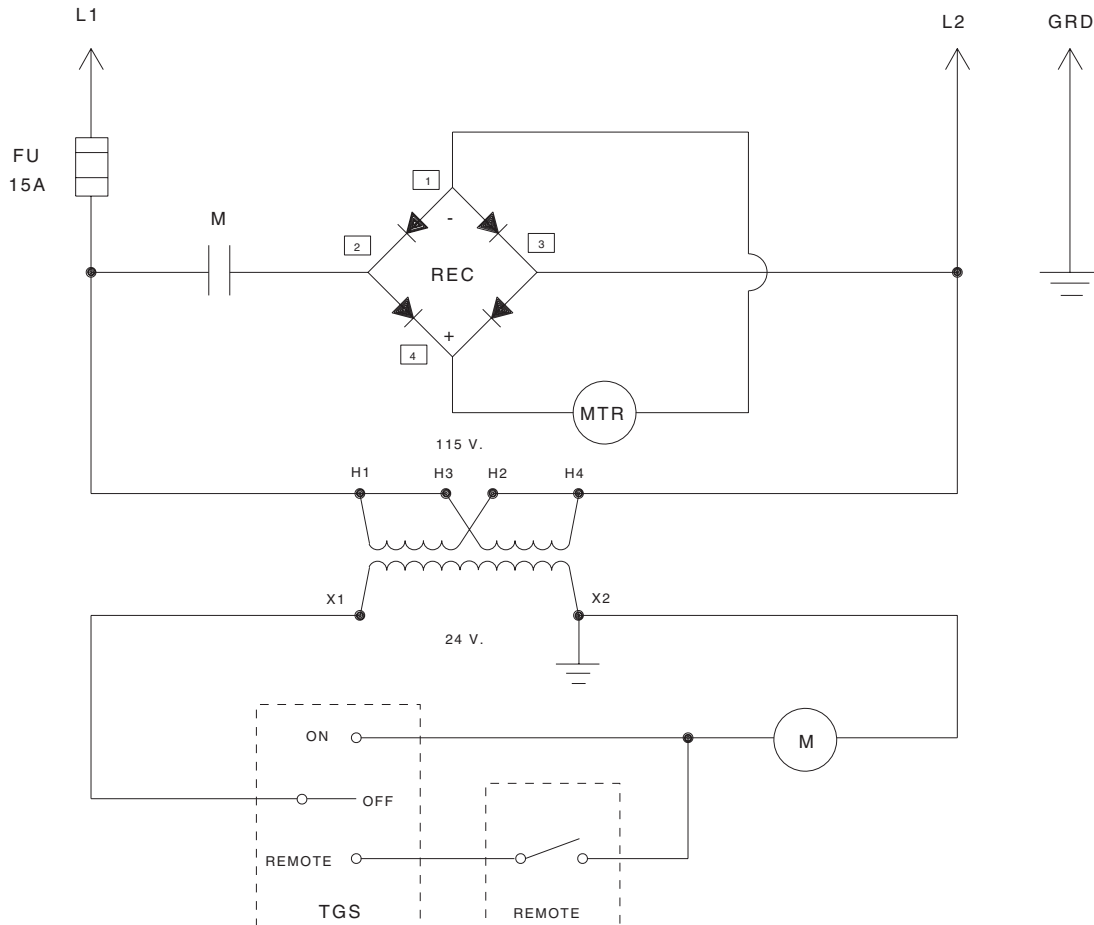
Item No.	Part No.	No. Req'd	Description	Item No.	Part No.	No. Req'd	Description
1	351024	1	Decal, Vanguard 30 Series	15	10197	2	Nut, Hex (10-24)
2	*420838BK2	1	Motor, Elec. (115V, 60 HZ)	16	11856	1	Screw, Round HD (10-24 x 1)
3	12316	2	Screw, Pan Head (10-24 x 5/8)	17	25229	1	Cord (8' LG, 115V, 14/3 SJTO)
4	59025BK2	1	Box, Electrical Control	18	210112	1	Bushing, Strain Relief
5	25802	1	Decal, Switch Indicator	19	205189	1	Decal, Label Ground
6	12665	1	Switch, Toggle	20	10164	2	Screw, Round HD (10-24 x 3/8)
7	42576BK2	1	Cover, Control Box	21	251638	1	Relay, General Purpose
8	11141	4	Screw, Pan Head (6-20 x 3/8)	22	12909	3	Screw, Round HD (10-32 x 1/4)
9	252872	1	Screw, Round HD (10-32 x 5/8)	23	17782	1	Plug, Snap
10	11108	7	Washer, Tooth Ext. (.40 x .20)	24	18292	1	Holder, Fuse
11	251050	1	Rectifier	25	252288	1	Fuse (15 AMP, 250V)
12	251049	1	Transformer	26	200188	1	Decal, Warning Important
13	15993	1	Bushing, Strain Relief	27	420962	1	Adapter, Mounting
14	25017	1	Control, Hand (For PE302A & PE302A-2See sheet 6 of 6)				

* Note: For replacement brushes, order(2) #252958.

ELECTRIC SCHEMATIC 110/115 V., 50/60 Hz.

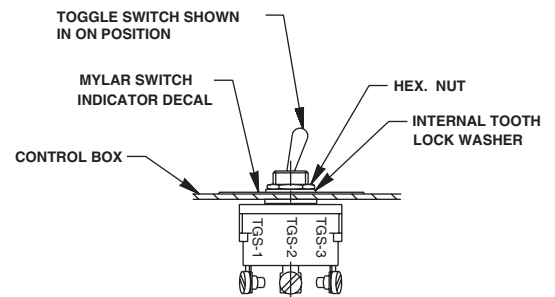
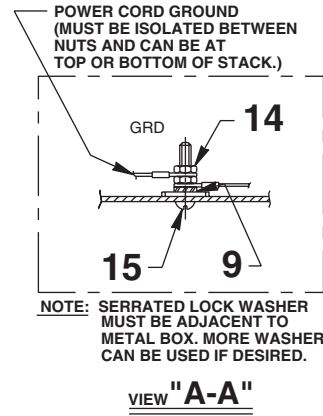
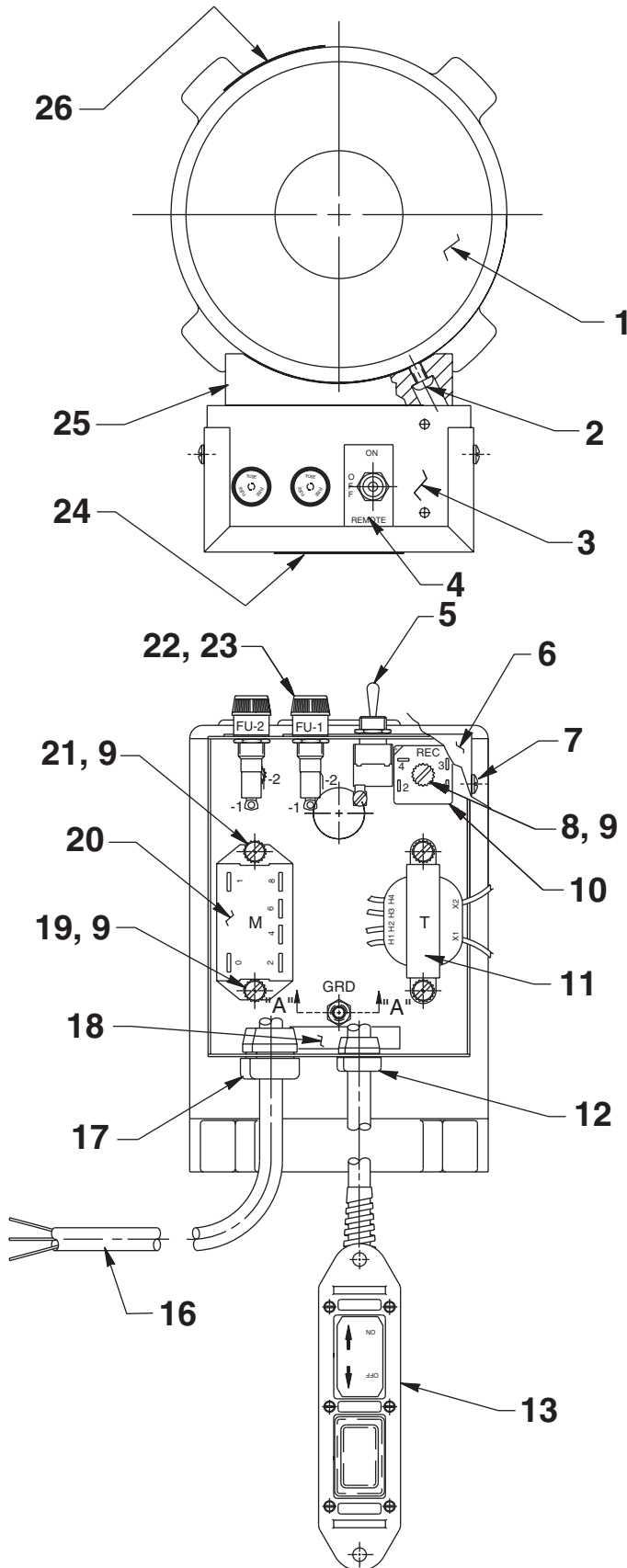


WARNING: To help avoid personal injury, all electrical work must be done by a qualified electrician.



MOTOR & CONTROL ASSEMBLY

220/230 V., 50/60 Hz.



Parts List, Form No. 101857, Back sheet 5 of 6

Item No.	Part No.	No. Req'd	Description
1	420839BK2	1	Motor, Elec. (230V, 60HZ)
2	12316	2	Screw, Pan Head (10-24 x 5/8)
3	59025BK2	1	Box, Electrical Control
4	25802	1	Decal, Switch Indicator
5	12665	1	Switch, Toggle
6	42576BK2	1	Cover, Control Box
7	11141	4	Screw, Pan Head (6-20 x 3/8)
8	252872	1	Screw, Round HD (10-32 x 5/8)
9	11108	7	Washer, Tooth Ext. (.40 x .20)
10	251050	1	Rectifier
11	251049	1	Transformer
12	15993	1	Bushing, Strain Relief
13	25017	1	Control, Hand (See sheet 6 of 6)

Item No.	Part No.	No. Req'd	Description
14	10197	2	Nut, Hex (10-24)
15	11856	1	Screw, Round HD (10-24 x 1)
16	308752	9	Cable (14/3 SJTO)
17	210112	1	Bushing, Strain Relief
18	205189	1	Decal, Label Ground
19	10164	2	Screw, Round HD (10-24 x 3/8)
20	251638	1	Relay, General Purpose
21	12909	3	Screw, Round HD (10-32 x 1/4)
22	18292	2	Holder, Fuse
23	252873	2	Fuse (10 AMP, 250V)
24	200188	1	Decal, Warning Important
25	420962	1	Adapter, Mounting
26	351024	1	Decal, Vanguard 30 Series

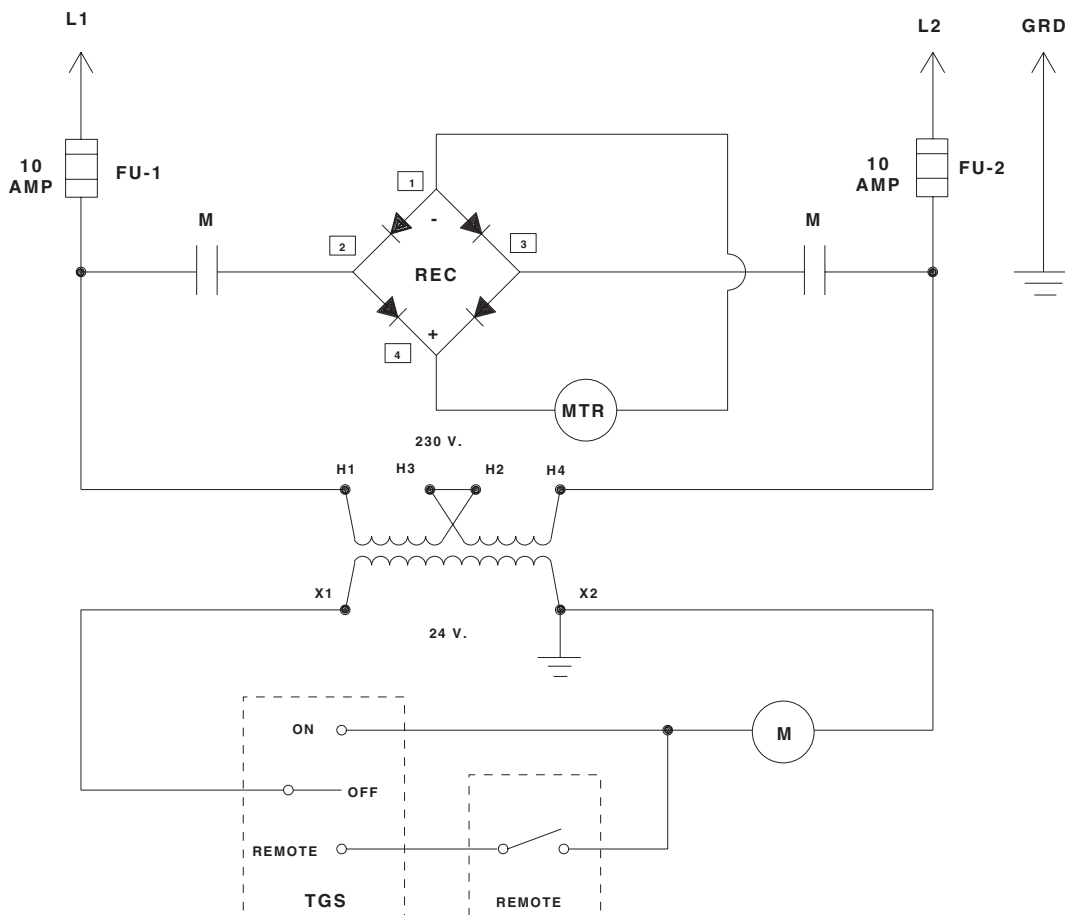
Note: Rectifier is supplied with motor.

***Note:** For replacement brushes, order (2) #252961.

ELECTRICAL SCHEMATIC 220/230 V., 50/60 Hz.

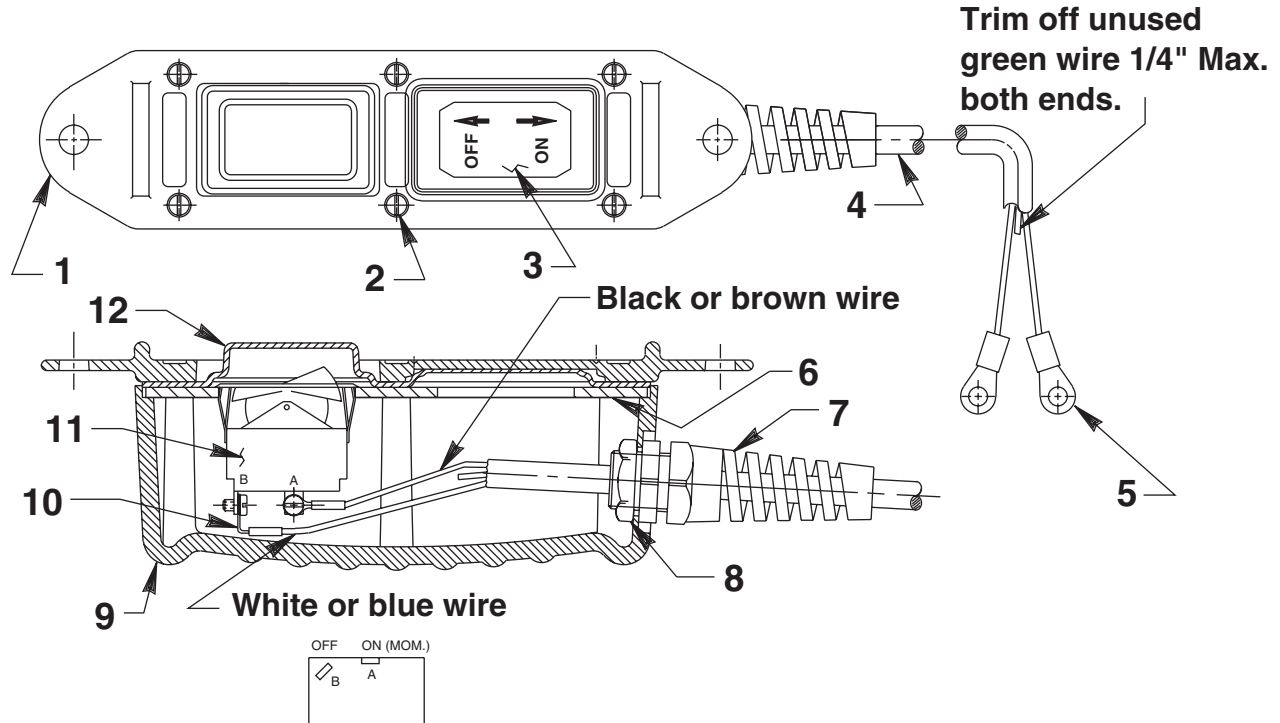


WARNING: To help avoid personal injury, all electrical work must be done by a qualified electrician.



REMOTE HAND SWITCH ASSEMBLY

No. 25017



Item No.	Part No.	No. Req'd	Description
1	420050-1	1	Cover
2	250248	6	Screw (4-24 x 3/4 Lg.)
3	202763	1	Decal
4	12908	11 ft.	Cable (18/3 SJTO)
5	10458	2	Ring Terminal
6	420050-3	1	Switch Mounting Plate
7	251818	1	Strain Relief Connector
8	251802	1	Locknut (3/4-16 UNF; Torque to 30/35 in. lbs.)
9	420050-4	1	Switch Housing
10	10525	2	Ring Terminal
11	16772	1	Rocker Switch
12	420050-2	1	Gasket