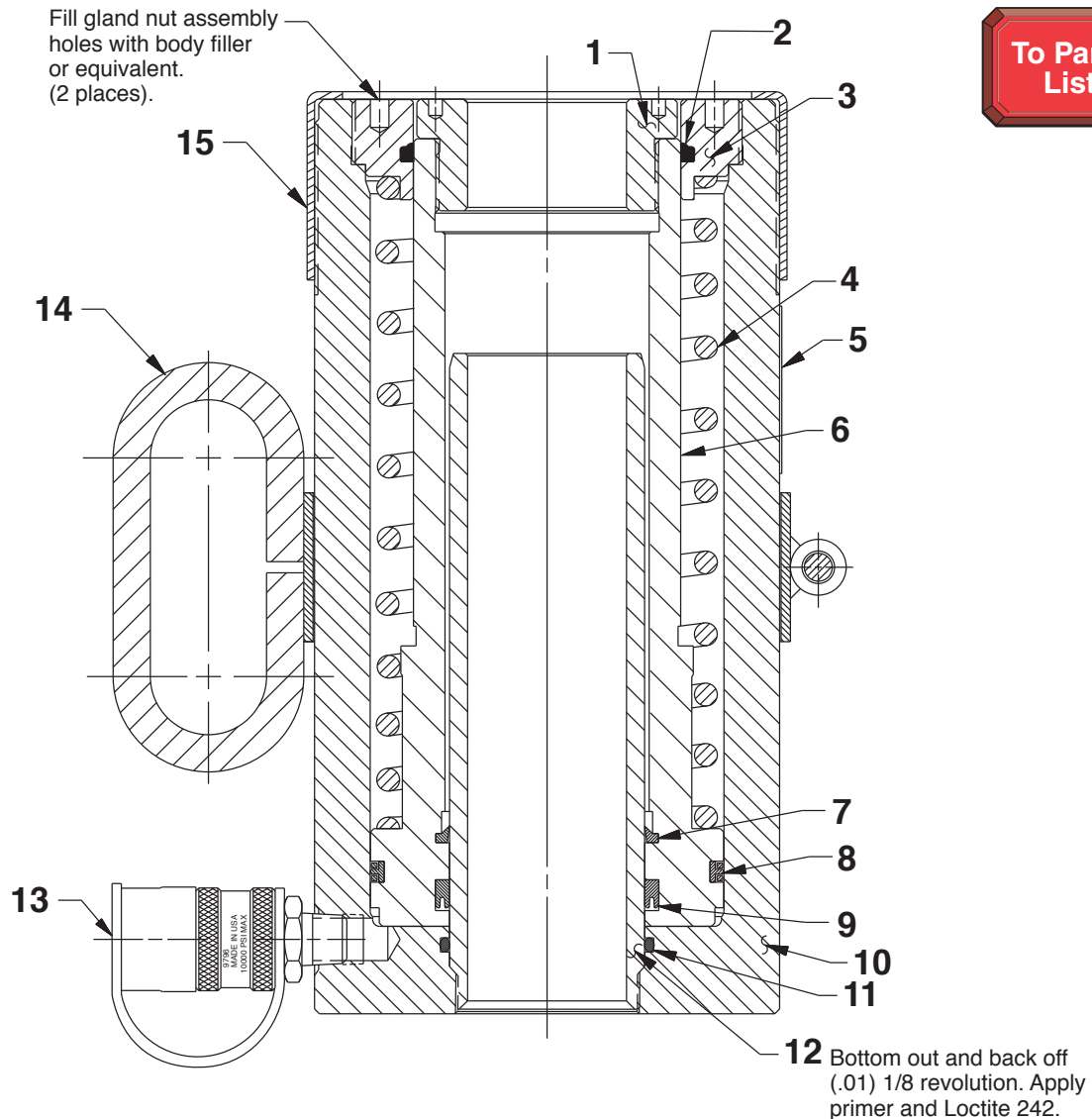


MODEL B
SINGLE-ACTING, SPRING RETURN
HYDRAULIC CYLINDER
Maximum Capacity: 61.5 Tons at 10,000 PSI



WARNING:

To help avoid personal injury, **DO NOT** disassemble cylinder. The retainer nut is loaded with 120 lbs. of spring force, and releasing this spring force improperly could result in serious bodily harm. All repairs must be done by an authorized Power Team Hydraulic Service Center.



Parts List, Form No. 101878, Back sheet 1 of 1

Item No.	Part No.	No. Req'd	Description
1	34250	1	Plain Insert
2	2001421	1	Rod Wiper 4.122 x 3.625 Molythane
3	46720	1	Spring Retainer Nut (NOTE: Loaded with 120 lbs. spring force)
4	213200	1	Compression Spring (4.704 O.D. X 11-1/2" Lg.)
5	351560	1	Trade Name Decal
6	52872	1	Piston Rod
7	*207721	1	Rod Wiper
	†206123	1	Rod Wiper
	•252063	1	Rod Wiper
8	*14334	1	T-seal (Piston) & Backup Rings (Smooth side of Backup Ring must be against Seal)
	†19245	1	T-seal (Piston) & Backup Rings (Smooth side of Backup Ring must be against Seal)
	•252062	1	T-seal (Piston) & Backup Rings (Smooth side of Backup Ring must be against Seal)
9	*14333	1	U-cup
	†206145	1	U-cup
	•252061	1	U-cup

Item No.	Part No.	No. Req'd	Description
10	65690	1	Cylinder Body
11	•*†19042	1	O-ring (2.87 X 2.62; Viton)
12	421605	1	Cylinder Standpipe Assembly (Bottom out and back off (.01) 1/8 revolution. Apply primer and Loctite 242.)
13	9796	1	Quick Cylinder Half Coupler
14	420488OR9	1	Cylinder Lift Handle
15	42194	1	Thread Protector

PARTS INCLUDED BUT NOT SHOWN

•*†203908	1	Warning Decal
†205724	1	Decal (Viton)
•252058	1	O-ring (3/4 X 9/16 X 3/32; For Coupler)
•251880	1	O-ring (1" X 3/4 X 1/8; For Coupler)

Part numbers marked with an asterisk (*) are contained in Standard Repair Kit No. 300477.

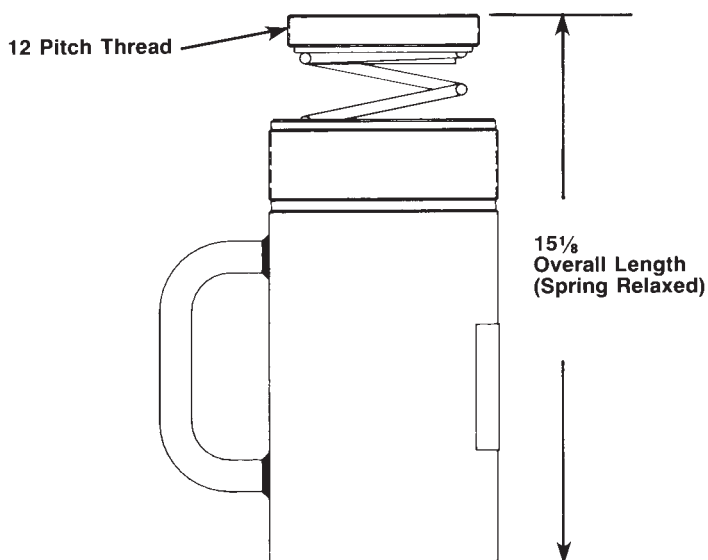
Part numbers marked with a dagger (†) are contained in Viton Seal Kit No. 300476.

Part numbers marked with a bullet (•) are contained in Water Glycol Seal Kit No. 300878.



WARNING:

To help avoid personal injury, **DO NOT** disassemble cylinder. The retainer nut is loaded with 120 lbs. of spring force, and releasing this spring force improperly could result in serious bodily harm. All repairs must be done by an authorized Power Team Hydraulic Service Center.



Refer to any operating instructions included with this product for detailed information about operation, testing, disassembly, reassembly, and preventive maintenance.

Items found in this parts list have been carefully tested and selected. **Therefore: Use only genuine Power Team replacement parts!**

Additional questions can be directed to our Technical Services Department.