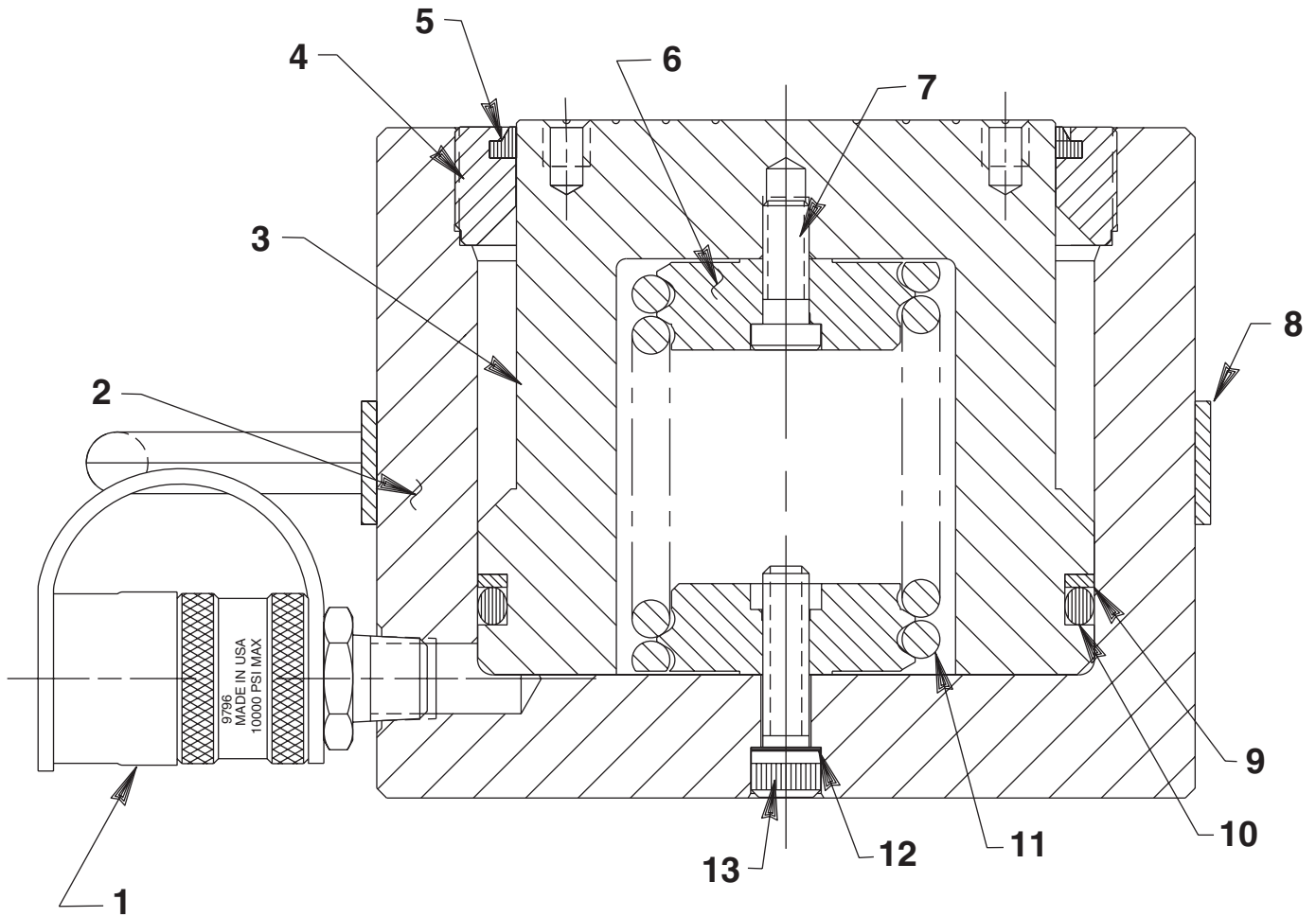


## MODEL C SINGLE-ACTING, SPRING RETURN HYDRAULIC CYLINDER



# Parts List, Form No. 101932, Back sheet 1 of 1

Item No.	Part No.	No. Req'd	Description
1	9796	1	Quick Coupler Cylinder Half
2	59164	1	Cylinder Body
3	58094	1	Piston Rod (Note: Spring assembly must be flush with or below piston bore cavity.)
4	43683	1	Retainer Nut (Torque to 500/525 in. lbs.)
5	*207608	1	Rod Wiper
	206126	1	Rod Wiper (Viton)
6	350479	2	Spring Retainer (Note: Assemble retainers flush with spring.)
7	19995	1	Screw (3/8-16 x 1" Lg.; Torque to 150/170 in. lbs.)
8	421756OR9	1	Cylinder Lift Handle
9	*19349	1	Backup Washer
10	*207601	1	O-ring (5.00 x 4.50 Nitrile)
	250010	1	O-ring (5.00 x 4.50 Viton)
11	250358	1	Compression Spring (2.5 O.D. x 2.75 x .31 WS)
12	*12042	1	Special Washer (.56 x .38)
13	10984	1	Screw (3/8-16 x 1-1/2 Lg.; Torque to 400/425 in. lbs.)

#### PARTS INCLUDED BUT NOT SHOWN

351802	1	Trade Name Decal (For RSS1002 & RSS1002V)
252186	1	Trade Name Decal (For RSS1002-PFAFF)
212064	1	Warning Decal (For RSS1002 & RSS1002V)
212064-CE	1	Warning Decal (For RSS1002-PFAFF)

Part numbers marked with an asterisk (\*) are contained in Standard Repair Kit No. 300293.

Refer to any operating instructions included with this product for detailed information about operation, testing, disassembly, reassembly, and preventive maintenance.

Items found in this parts list have been carefully tested and selected. **Therefore: Use only genuine Power Team replacement parts!**

Additional questions can be directed to our Technical Services Department.