

MODEL B DOUBLE-ACTING HYDRAULIC CYLINDER

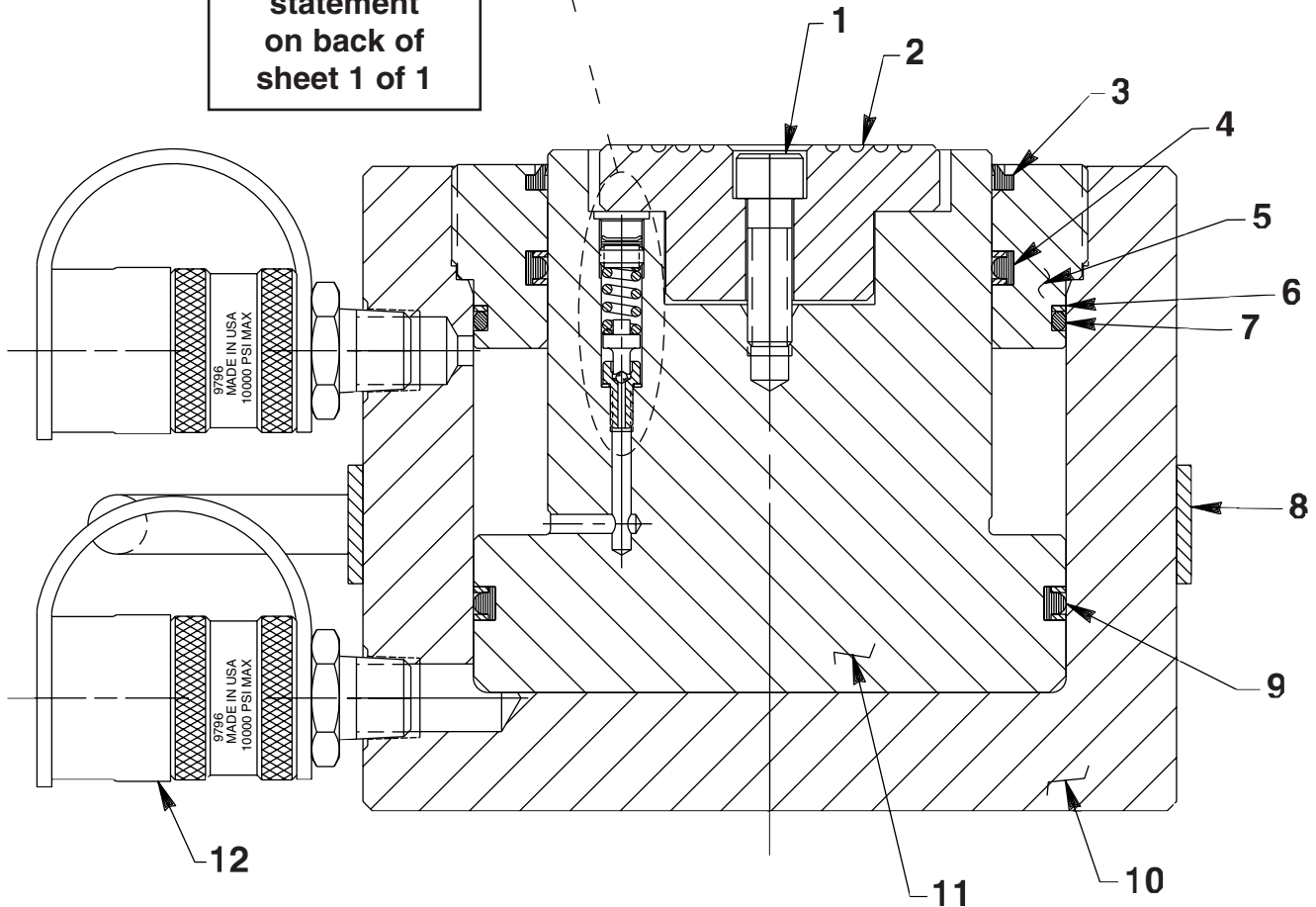
Max. Capacity: 98.2 Ton at 10,000 PSI

**Double-acting
Cylinder
Relief Valve**

See important

! DANGER
statement
on back of
sheet 1 of 1

To Parts
List



⚠ DANGER: To help avoid possible serious personal injury or death,
 ● In the event that the cylinder retract port is ever restricted or plugged, a double-acting cylinder relief valve will help prevent excessive pressure from building in the cylinder. **DO NOT** attempt to adjust or service this relief valve! If oil leakage is detected from this relief valve, discontinue use of the cylinder immediately and contact Power Team Technical Services. Only Power Team Authorized Hydraulic Service Centers should service this relief valve.

Item No.	Part No.	No. Req'd	Description
1	10053	1	Screw (3/8-16 x 1-1/4 Lg.)
2	305070	1	Serrated Insert
3	*250008	1	Rod Wiper (4.12 x 3.75 Urethane)
4	*250007	1	T-seal (4.13 x 3.75 x .27 L)
5	58004	1	Retainer Nut
6	*19173	1	Backup Washer (5.00 x 4.75)
7	*12199	1	O-ring (5.00 x 4.75 Nitrile)
8	421757OR9	1	Cylinder Lift Handle
9	*15380	1	T-seal (5.00 x 4.63 x .27 L)
10	59165	1	Cylinder Body
11	420005	1	Piston Rod
12	9796	2	Quick Coupler Cylinder Half

PARTS INCLUDED BUT NOT SHOWN

*212064	1	Warning Decal
351803	1	Trade Name Decal

Part numbers marked with an asterisk (*) are contained in Standard Repair Kit No. 300578.



Refer to any operating instructions included with this product for detailed information about operation, testing, disassembly, reassembly, and preventive maintenance.

Items found in this parts list have been carefully tested and selected. **Therefore: Use only genuine Power Team replacement parts!**

Additional questions can be directed to our Technical Services Department.