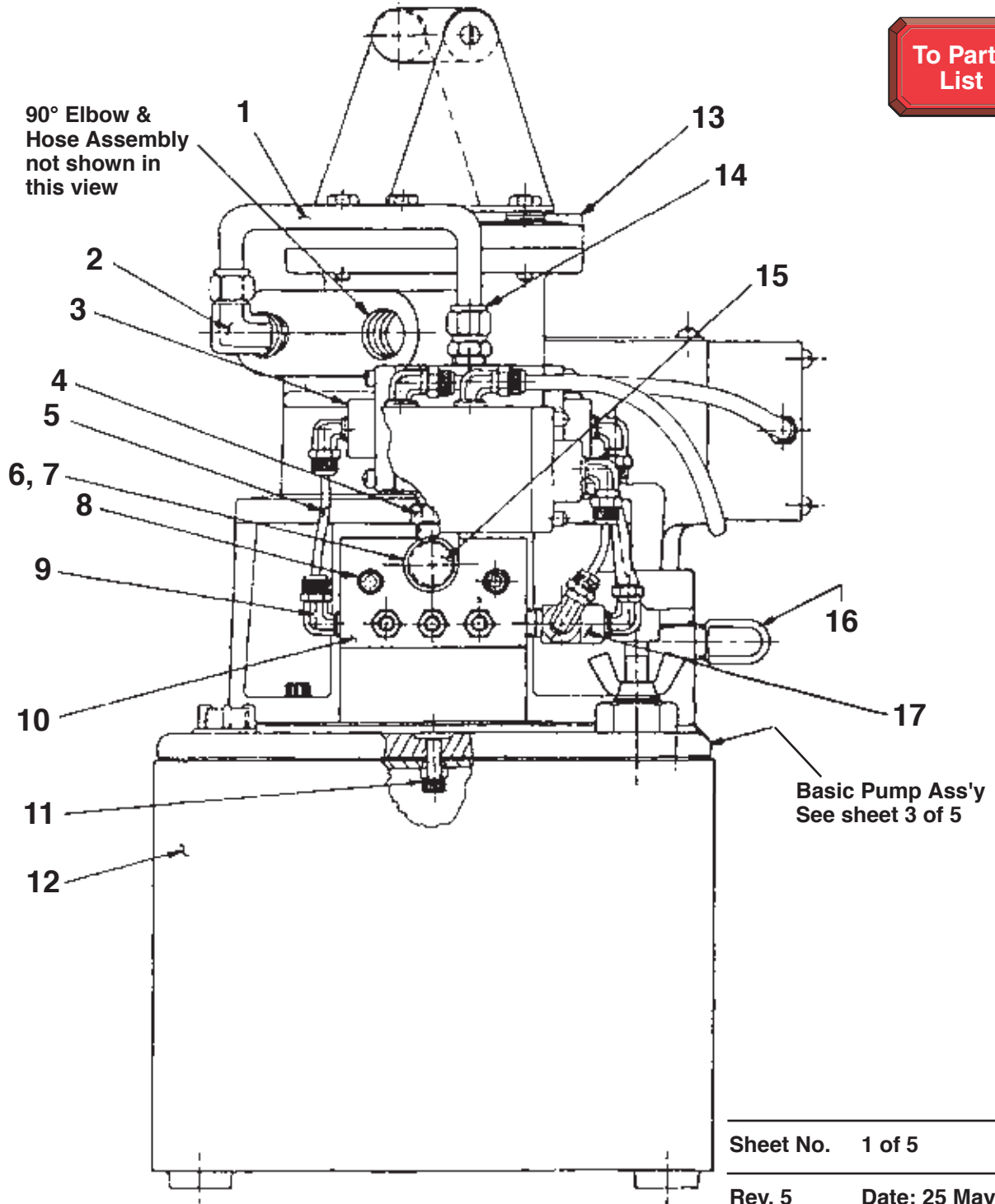


MODEL A HYDRAULIC PUMP AIR DRIVEN WITH REMOTE CONTROL GENERAL ASS'Y SIDE VIEW



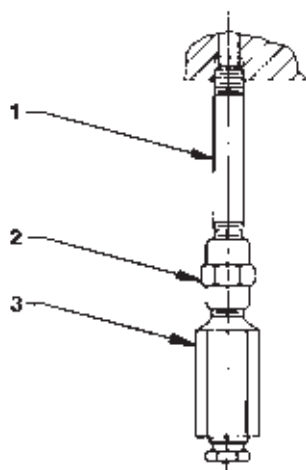
Part List, Form No. 101990, Back sheet 1 of 5

Item No.	Part No.	No. Req'd	Description
1	303474	1	Copper Tubing
2	17636	1	90° Elbow Fitting
3	17565	1	Air Valve
4	16494	1	Straight Nipple Fitting
5	14281	.8 ft.	Plastic Tubing
6	10623	1	Tee Fitting
7	12328	1	Straight Fitting (NOTE: Install #12328 Fitting into #10623 Tee Fitting. Install 1/4 NPTF end of #12328 into Port No. 3 of #306033 Air Valve.)
8	10020	2	Cap Screw (1/4-20 X 1-1/4 Lg.)

Item No.	Part No.	No. Req'd	Description
9	250804	6	90° Elbow Fitting
10	350244	1	Air Valve Manifold
11	10006	1	Soc. Hd. Cap Screw (1/4-20 X 5/8 Lg.)
12	64364BK2	1	Reservoir
13	*51159	1	Air Motor Ass'y (Prior to 5-1-91; Keyed shaft; See back sheet 2 of 5)
14	17634	1	Straight Fitting
15	11967	1	Plastic Cup
16	10617	1	90° Elbow Fitting
17	19463	1	Tee Fitting



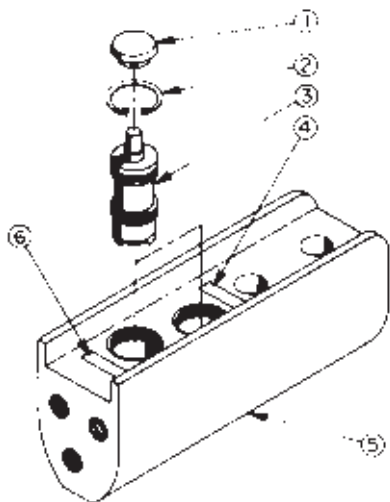
***Note: For air motor repair kit, order no. 252100.**



PRESSURE CONTROL VALVE

NOTE: Set at 1500/1700 PSI

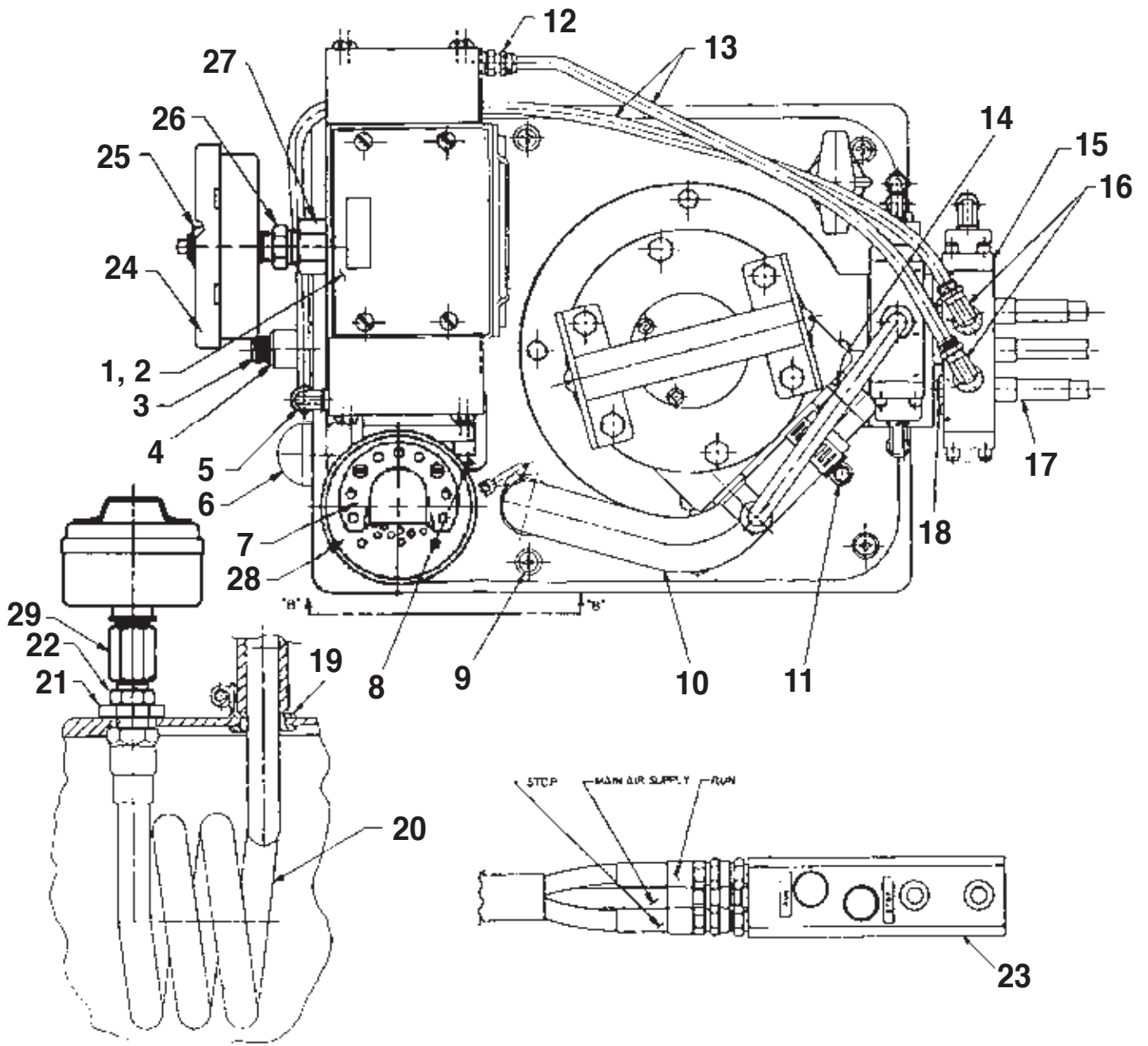
Item No.	Part No.	No. Req'd	Description
1	15456	1	Nipple Fitting
2	18841	1	Straight Fitting
3	21278-15	1	Relief Valve Ass'y



HAND CONTROL ASSEMBLY

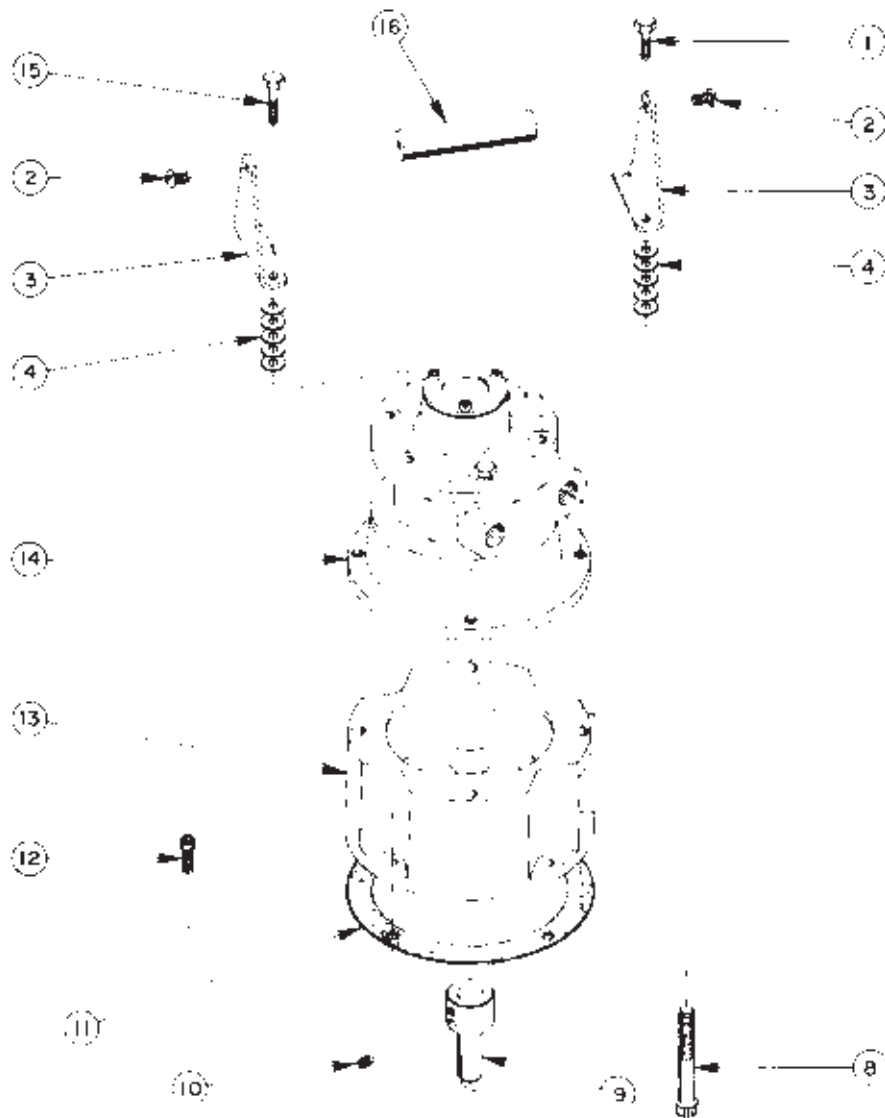
Item No.	Part No.	No. Req'd	Description
1	206105	2	Push Button
2	11033	2	Retaining Ring
3	206104	2	Valve Cartridge (Including seals)
4	203769	2	Decal (Stop)
5	421265	1	Control Valve Body (Includes decals [Items 4 & 6])
6	203770	1	Decal (Run)

GENERAL ASS'Y TOP VIEW



Item No.	Part No.	No. Req'd	Description	Item No.	Part No.	No. Req'd	Description
1	66209	1	Valve (See Form No. 108100)	16	15457	2	90° Elbow Fitting
2	200609	1	Drain Tube (Included but not shown)	17	420096	1	Hose Assembly (25' Lg.)
3	10412	1	Screw (3/8-16 UNC x 1/2 Lg.)	18	208218	6	Straight Fitting
4	19779	1	Seal Washer	19	212896	1	Grommet
5	252653	1	90° Elbow Fitting	20	46626	1	Heat Exchanger Coil
6	350431	1	Oil Level / Thermometer Gauge	21	251796	1	Jam Nut
7	205505	1	Muffler Deflector	22	251795	1	Straight Fitting
8	10575	4	Drive Screw	23	421265	1	Air Operated Hand Control (See back sheet 1 of 5)
9	10177	9	Screw (1/4-10 X 7/8 Lg.)	24	9052	1	Gauge (10,000 PSI, 4" dia.)
10	212898	.9ft.	Pressure Hose	25	10618	1	Tee Fitting
11	12367	2	Hose Clamp	26	10676	1	Straight Fitting
12	251053	1	Straight Fitting	27	9689	1	Fitting (Supplied with valve)
13	15883	2.8ft.	Plastic Tubing	28	13966	1	Muffler
14	212897	1	90 °Elbow Fitting	29	252240	1	Straight Fitting (1/2 x 1/2 BSPP)
15	306033	1	Air Valve				

AIR MOTOR ASSEMBLY



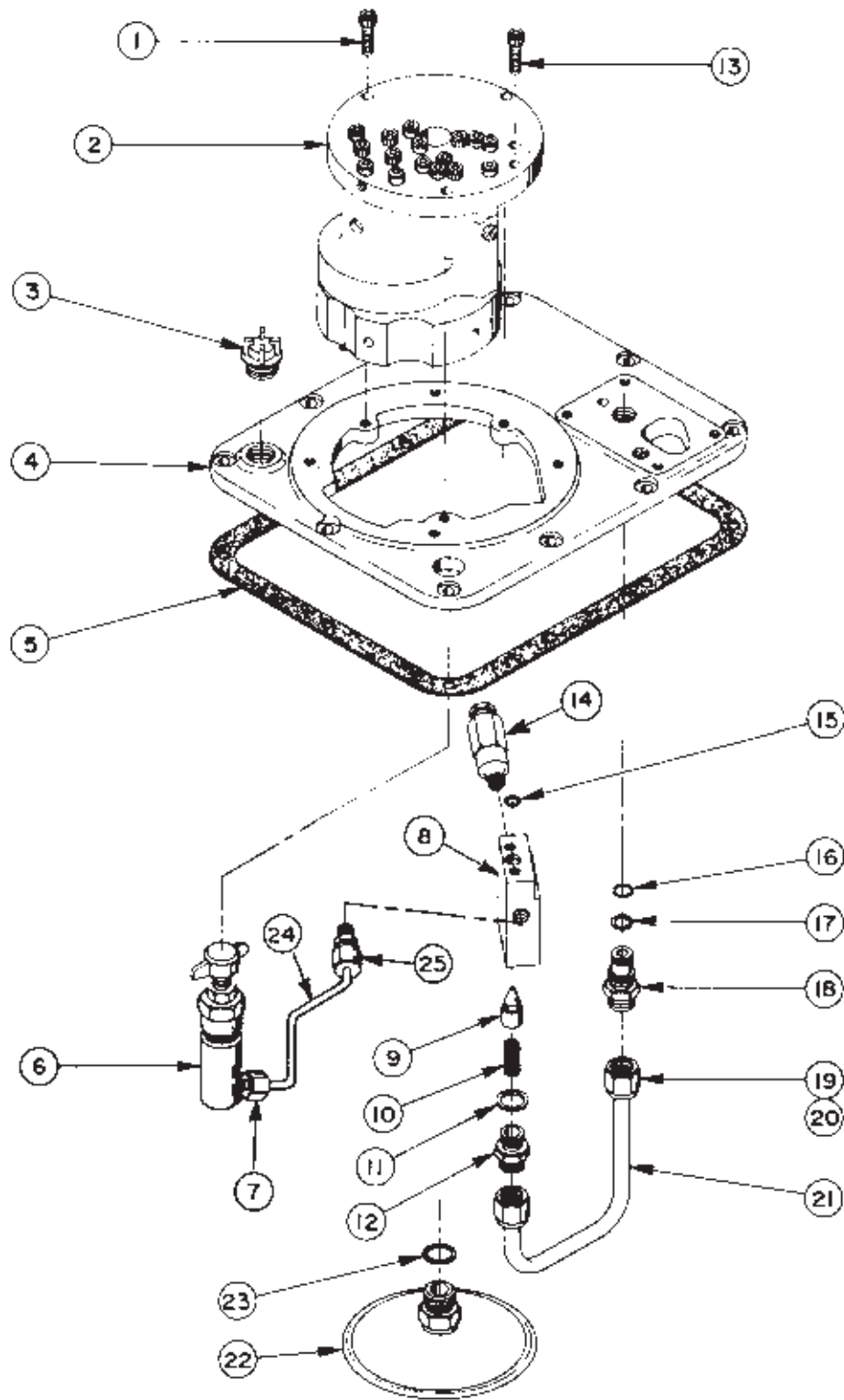
Item No.	Part No.	No. Req'd	Description
1	10014	1	Cap Screw (1/4-28 X 1" Lg.)
2	10174	2	Machine Screw (1/4-20 X 1/2 Lg.)
3	33808	2	Handle Bracket
4	12719	20	Washer
8	17816	4	Cap Screw (3/8-16 X 3" Lg.)
9	37842	1	Shaft Extension
10	10556	1	Set Screw (1/4-20 UNC X 1/4 Lg.)
11	30650	1	Gasket

Item No.	Part No.	No. Req'd	Description
12	10008	4	Cap Screw (1/4-20 X 3/4 Lg.)
13	51158WH2	1	Motor Base
14	*14717	1	Air Motor (See Form #16138)
15	10018	3	Cap Screw (1/4-28 X 1-1/4 Lg.)
16	28158	1	Handle
	51159	1	Complete Air Motor Ass'y (Includes Items 1 through 16)

***Note: For air motor repair kit, order no. 252100.**

GENERAL PUMP ASSEMBLY

To Parts List



Parts List, Form No. 101990, Back sheet 3 of 5

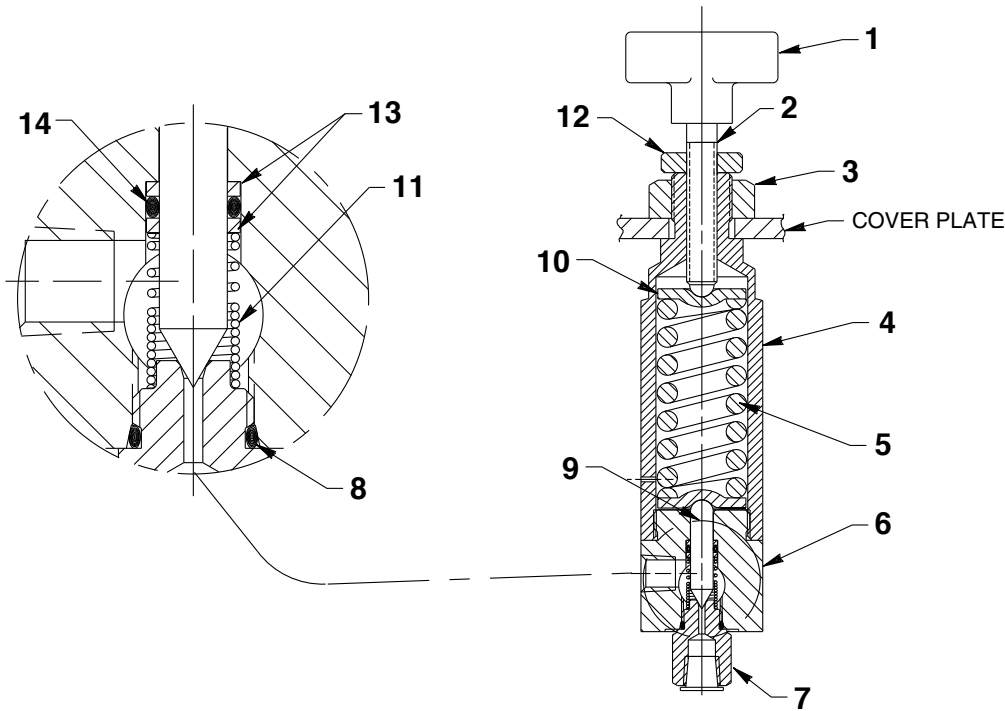
Item No.	Part No.	No. Req'd	Description
1	10016	3	Cap Screw (1/4-20 X 1" Lg.)
2	-----	1	Basic Pump Assembly (Includes all items on sheet 4 of 5 and items 1, 7, 8, 9,10, 11, 12, 13, 15 & 22 on this sheet)
3	20937	1	Vent Cap
4	46627WH2	1	Cover
5	40164	1	Gasket
6	47647	1	External Pressure Regulator (See below)
7	16177	1	90° Elbow Fitting
8	20776	1	Valve Body
9	20771	1	Poppet
10	10425	1	Comp. Spring (3/8 O.D. X 3/4 Lg.)
11	10261	1	Copper Washer (3/4 X 19/32 X 1/32)

Item No.	Part No.	No. Req'd	Description
12	20770	1	Connector (Torque to 40/45 in. lbs.)
13	10015	2	Cap Screw (1/4-28 X 1" Lg.; Torque to 180 in. lbs.)
14	21278	1	Relief Valve (Set at 10,100/10,700 PSI)
15	10266	1	O-ring (1/4 X 3/8 X 1/16)
16	10268	1	O-ring (1/2 X 3/8 X 1/16)
17	11863	2	PTFE Backup Washer
18	20787	1	Valve Connector
19	10430	2	Tube Sleeve
20	10431	2	Tube Nut
21	21045	1	Oil Line
22	21345	1	Filter Ass'y (Includes Item #23)
23	10527	1	O-ring (13/16 X .644 X .087)
24	201570	1	Oil Line Tube
25	14844	1	Straight Fitting



PRESSURE REGULATOR ASSEMBLY

NOTE: Set at 10,100/10,700 PSI

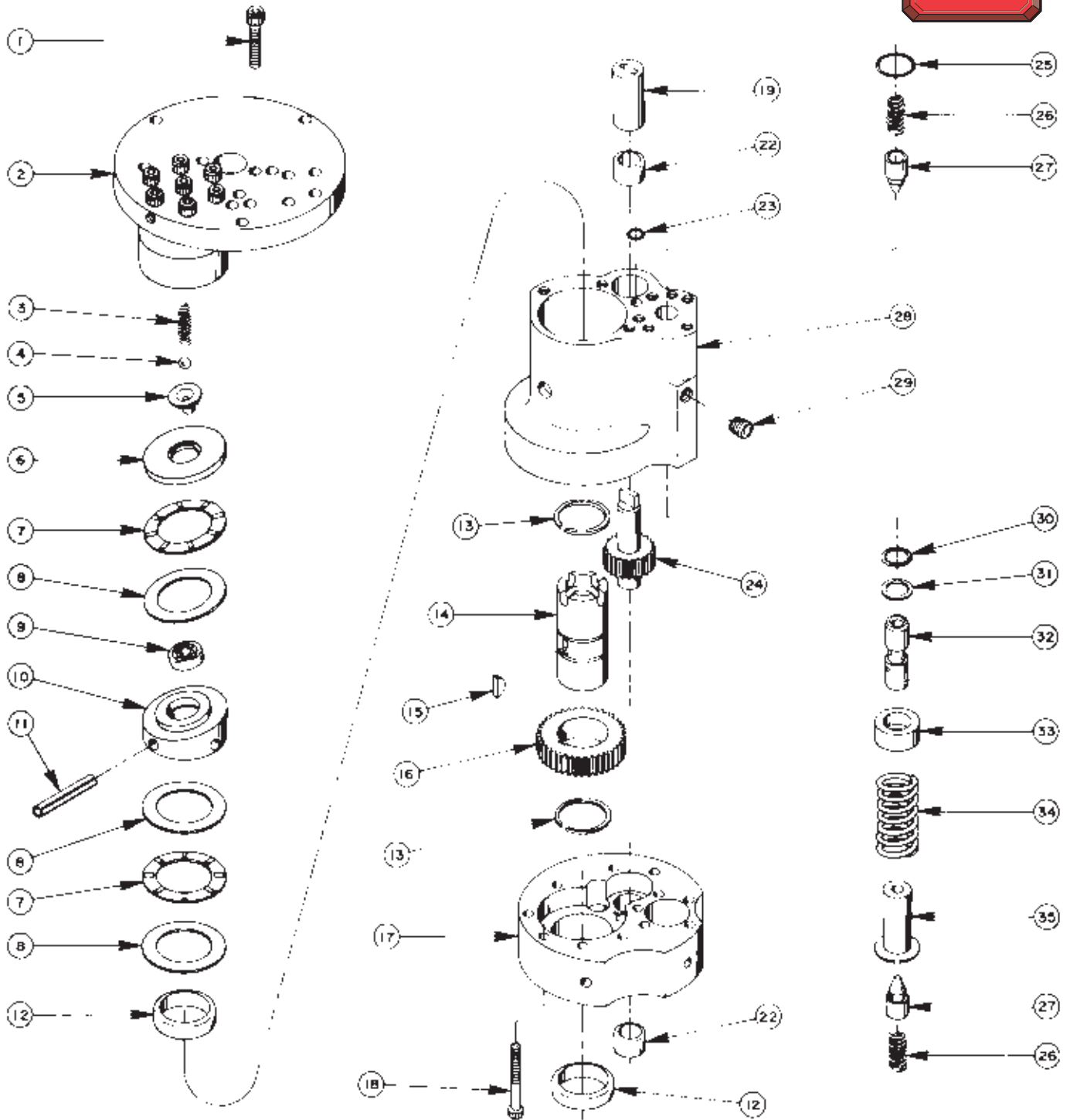


Item No.	Part No.	No. Req'd	Description
1	215693	1	Knob
2	215721	1	Adjustment Stem (Assemble to knob with Loctite No. 242 or equiv.)
3	10396	1	Jam Nut
4	309077	1	Regulator Housing
5	215429	1	Compression Spring (1.100 O.D. X 2-1/2 Lg.)
6	47648	1	Regulator Body
7	309078	1	Seat Fitting
8	13755	1	O-ring (.558 x .414 x .072)

Item No.	Part No.	No. Req'd	Description
9	309079	1	Poppet
10	215428	2	Spring Retainer (Grease pocket [both ends] before assembly)
11	215431	1	Spring (Assemble closed coils of spring form towards seat fitting [Item #7])
12	21583	1	Locknut
13	215430	2	Backup Washer
14	10266	1	O-ring (3/8 X 1/4 X 1/16)

BASIC PUMP ASS'Y

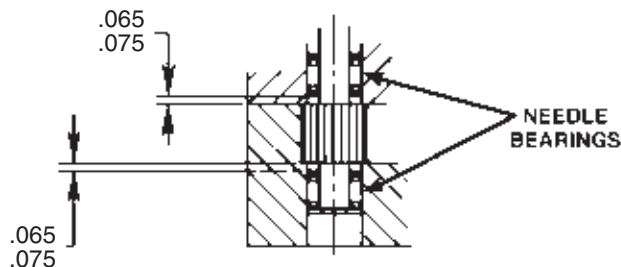
To Parts List



Item No.	Part No.	No. Req'd	Description
1	10020	9	Soc. Hd. Cap Screw (1/4-20 X 1-1/4 Lg.; Torque to 170-180 in. lbs.)
2	33113	1	High Pressure Pump Ass'y (See back sheet 5 of 5)
3	10361	1	Compression Spring (1/4 O.D. X 1" Lg.)
4	10375	1	Steel Ball (1/4 Dia.)
5	23547	1	Bearing Top Plate
6	23548	1	Top Plate
7	11228	2	Thrust Bearing
8	11813	3	Bearing Race
9	11814	1	Ball Bearing
10	23549	1	Angle Plate
11	11955	1	Roll Pin (1/4 Dia. X 3/4 Lg.)
12	11064	2	Needle Bearing
13	11261	2	Retaining Ring (1-1/8 Shaft)
14	23556	1	Shaft
15	11821	1	Woodruff Key
16	23557	1	Gear
17	30533	1	Pump End Plate
18	10001	12	Soc. Hd. Cap Screw (10-32 X 1-3/4 Lg.; Torque to 50 in. lbs.)
19	251206	1	Aluminum Coupling
20	11199	2	Needle Thrust Bearing (See diagram below)
23	10266	1	O-ring (1/4 X 3/8 X 1/16)
24	21272	1	Drive Gear
25	10303	1	O-ring (7/8 X 3/4 X 1/16)
26	10425	2	Compression Spring (3/8 O.D. X 3/4 Lg.)
27	20771	2	Poppet
28	40120	1	Pump Body
29	10427	1	Pipe Plug (1/8 NPTF)
30	10271	1	O-ring (11/16 x 1/2 X 3/32)
31	12389	1	PTFE Backup Washer (11/16 X 1/2 X 1/16)
32	20849	1	Spool
33	23255	1	Spring Guide
34	10426	1	Compression Spring (1" O.D. X 1-13/16 Lg.)
35	23256	1	Spring Guide



NEEDLE BEARING INSTALLATION SPECIFICATIONS

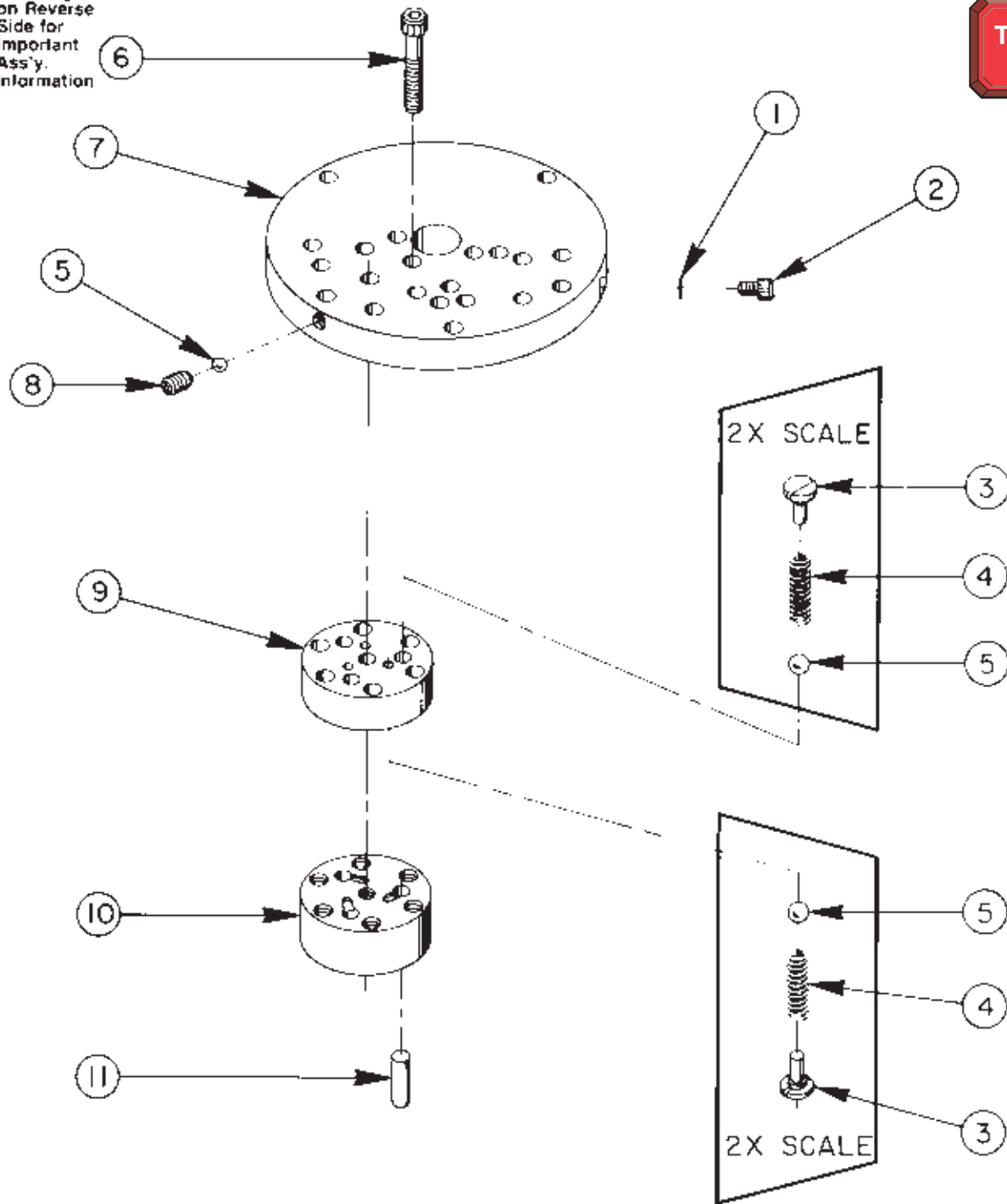


When replacing the needle bearings on the drive gear of the basic pump, the dimensions shown must be as specified.

HIGH PRESSURE PUMP ASSEMBLY

See Diagram on Reverse Side for Important Ass'y. Information

To Parts List



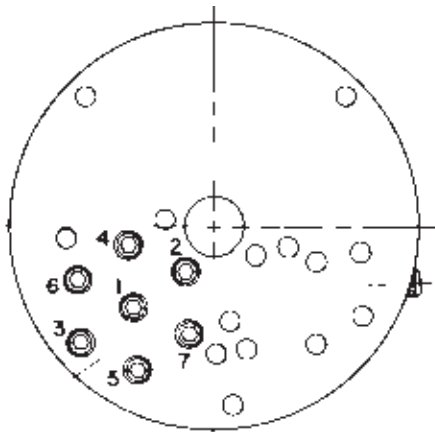
#33113 HIGH PRESSURE PUMP ASS'Y
(3 Pistons - 9/32 Dia.)

Item No.	Part No.	No. Req'd	Description
1	10442	1	Copper Washer (3/8 X 1/4 X 1/32)
2	10002	1	Soc. Hd. Cap Screw (1/4-20 NC X 3/8 Lg.; Torque to 140/160 in. lbs.)
3	*24549	6	Valve Guide
4	*10445	6	Compression Spring (.164 O.D. X .718 Lg.)
5	*12223	7	Steel Ball (3/16 Dia.)
6	*10023	7	Soc. Hd. Cap Screw (1/4-28 NF X 1-1/2 Lg.; Torque to 170/180 in. lbs.)
7	*50411	1	Top Plate (Aluminum)
8	10519	1	Soc. Set Screw (1/4-20 NC X 3/8 Lg.; Torque to 65/70 in. lbs.)
9	*40630	1	Valve Head
10	*41062	1	Pump Barrel
11	*21628	3	Piston



Consult factory when replacing items marked with an asterisk (*).

BOLT TIGHTENING SEQUENCE



NOTE: Assemble in sequence shown. Lubricate under head and on threads. Torque to 180 in. lbs.

Refer to any operating instructions included with this product for detailed information about operation, testing, disassembly, reassembly, and preventive maintenance.

Items found in this parts list have been carefully tested and selected. **Therefore: Use only genuine Power Team replacement parts!**

Additional questions can be directed to our Technical Services Department.