

## Tire Press Kit

The Tire Press Kit (TPP200) is intended for use with any 55 ton or larger capacity Power Team press. **Important: Many tires require 100 tons of force or more, depending upon tire size and condition. The plates in this kit can withstand a maximum force of 150 tons.**

1. Measure the distance between the sleeve surface and the wheel surface on the old tire. See Figure 1. The new tire must match this dimension once the wheel has been installed.
2. Place the old tire / wheel assembly on top of the new tire. Carefully adjust the position of the old tire until the sleeves of both tires are aligned. (One sleeve must not overlap the other.) When the alignment is correct, the two tires are lined up, creating one uniform inside diameter for the wheel to travel through.
3. Select the plate that best fits the wheel (within the tire sleeve), and stack the plates so the load is not concentrated on any single plate. The difference in diameter between two adjoining plates must never exceed two inches. *For example, a 12" plate must be covered by a plate no smaller than 10".* See Figure 2. Generally no more than seven plates are required at one time. The ram spacer (TPS6) can be used on top of the stacked plates to reduce the ram stroke required.
4. Using the pump to generate pressure and extend the ram, press the wheel completely free from the old tire and into the new tire. Refer to Figure 3. Continue pressing until the correct sleeve-surface-to-wheel-surface dimension is achieved (as determined in Step 1).

**⚠ Caution: To help prevent personal injury and/or damage to equipment, watch the pressure gauge on the press carefully (for a pressure build-up) once the wheel moves into the new tire. Be certain the wheel is entering the new tire smoothly and not catching at the top of the sleeve. Incorrect alignment during this operation could cause the wheel to tip.**

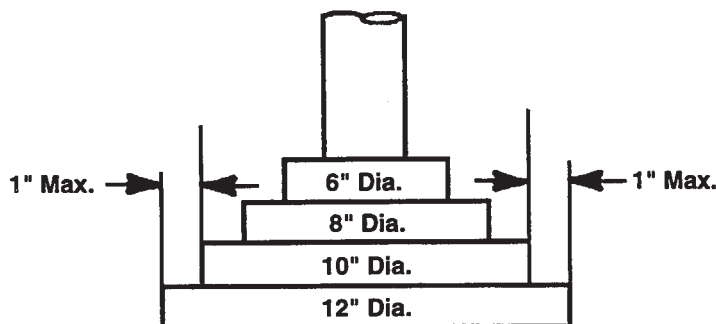


Figure 2

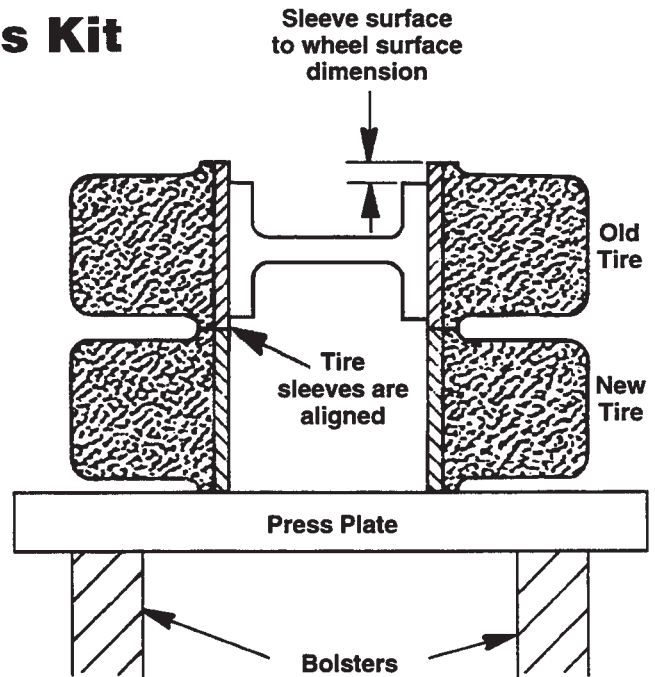


Figure 1

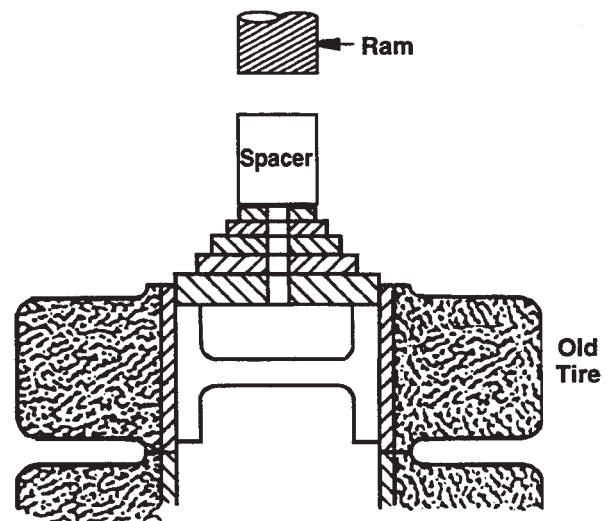


Figure 3