

MODEL C
HYDRAULIC PUMP ELECTRICAL SCHEMATICS



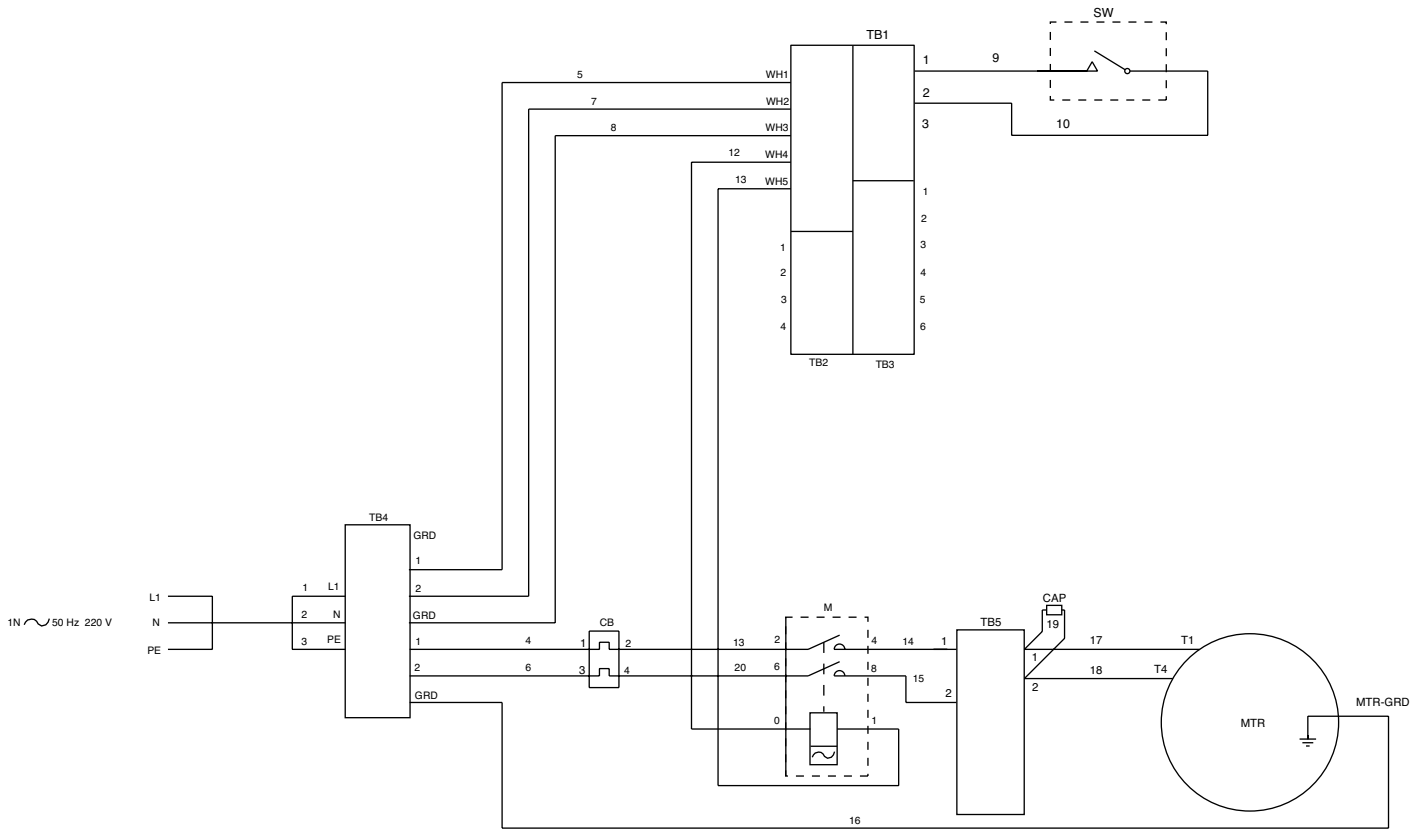
WARNING: To help prevent personal injury, all electrical work must be done by a qualified electrician.

North American & International Color Codes

Conductors	North American	International
Line	Black	Brown
Neutral	White	Blue
Ground	Green	Green/Yellow

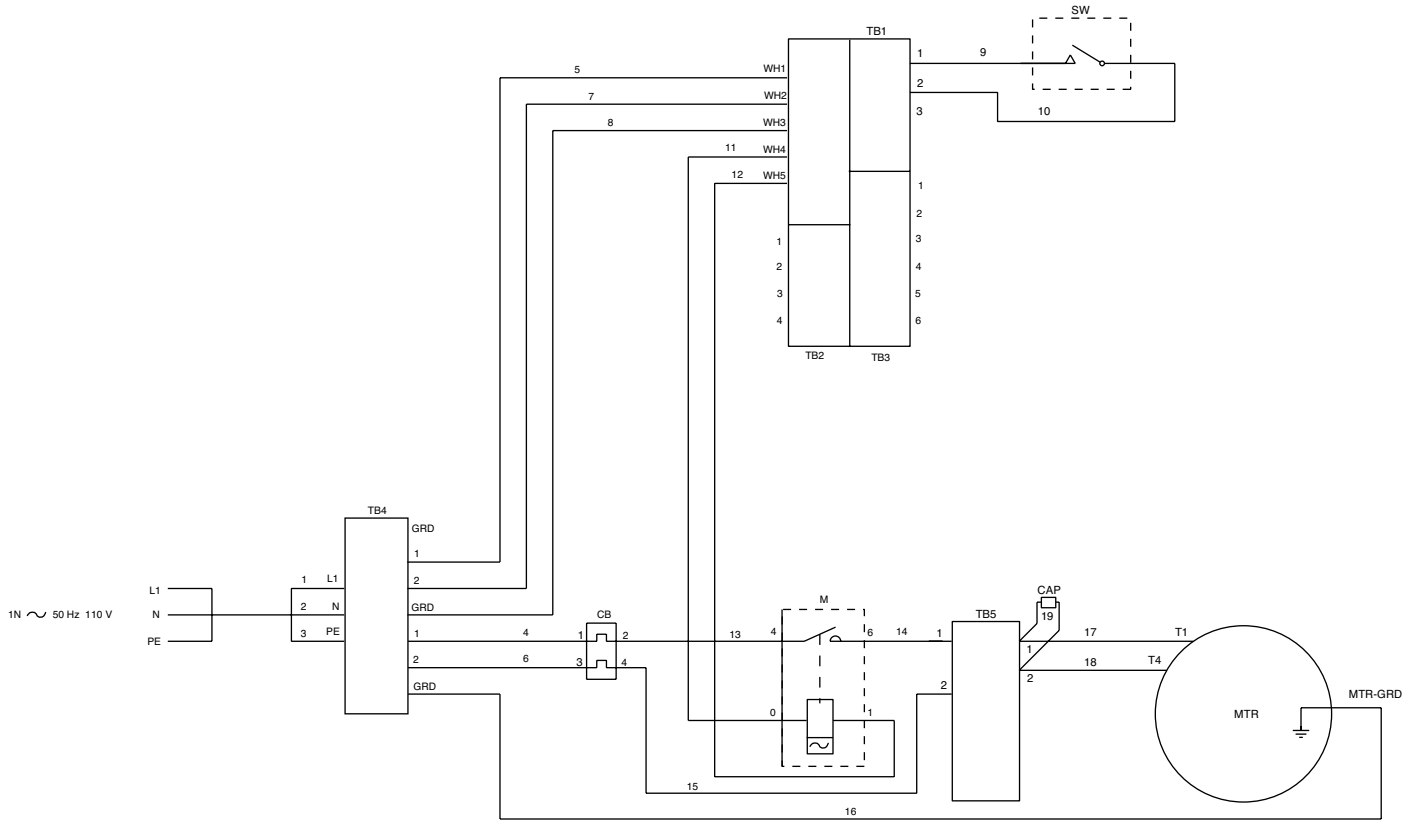
Pump Part No.	Description	Page
PE550-E220	Elec. hyd. pump with 220 V. universal motor and no valve	pg. 2
PE550-E110	Elec. hyd. pump with 110 V. universal motor and no valve	pg. 3
PE552-E220	Elec. hyd. pump with a 220 V. universal motor and 3-way manual valve	pg. 2
PE552A-E220	Elec. hyd. pump with a 220 V. universal motor and automatic dump valve	pg. 2
PE554-E220	Elec. hyd. pump with a 220 V. universal motor and 4-way manual valve	pg. 2
PE552-E110	Elec. hyd. pump with a 110 V. universal motor and 3-way manual valve	pg. 3
PE552A-E110	Elec. hyd. pump with a 110 V. universal motor and automatic dump valve	pg. 3
PE554-E110	Elec. hyd. pump with a 110 V. universal motor and 4-way manual valve	pg. 3
PE552S-E220	Elec. hyd. pump with a 220 V. universal motor and 3-way solenoid valve	pg. 4
PE552S-E110	Elec. hyd. pump with a 110 V. universal motor and 3-way solenoid valve	pg. 5
PE554S-E220	Elec. hyd. pump with a 220 V. universal motor and 3/4-way solenoid valve	pg. 6
PE554S-E110	Elec. hyd. pump with a 110 V. universal motor and 3/4-way solenoid valve	pg. 7
PE554S-E220HP	Elec. hyd. pump with a 220 V. universal motor and 3/4-way solenoid valve with OFF/RETRACT/ADVANCE remote switch	pg. 8
PE554S-E220TW	Elec. hyd. pump with a 220 V. universal motor and 3/4-way solenoid valve with OFF/RETRACT/ADVANCE remote switch	pg. 8
PE554S-E110HP	Elec. hyd. pump with a 110 V. universal motor and 3/4-way solenoid valve with RETRACT/HOLD/ADVANCE remote switch	pg. 9
PE554S-E110TW	Elec. hyd. pump with a 110 V. universal motor and 3/4-way solenoid valve with RETRACT/HOLD/ADVANCE remote switch	pg. 9

For **MODEL C PE55 Series pumps, 220 V.**
 with single phase universal motors and manual valves:



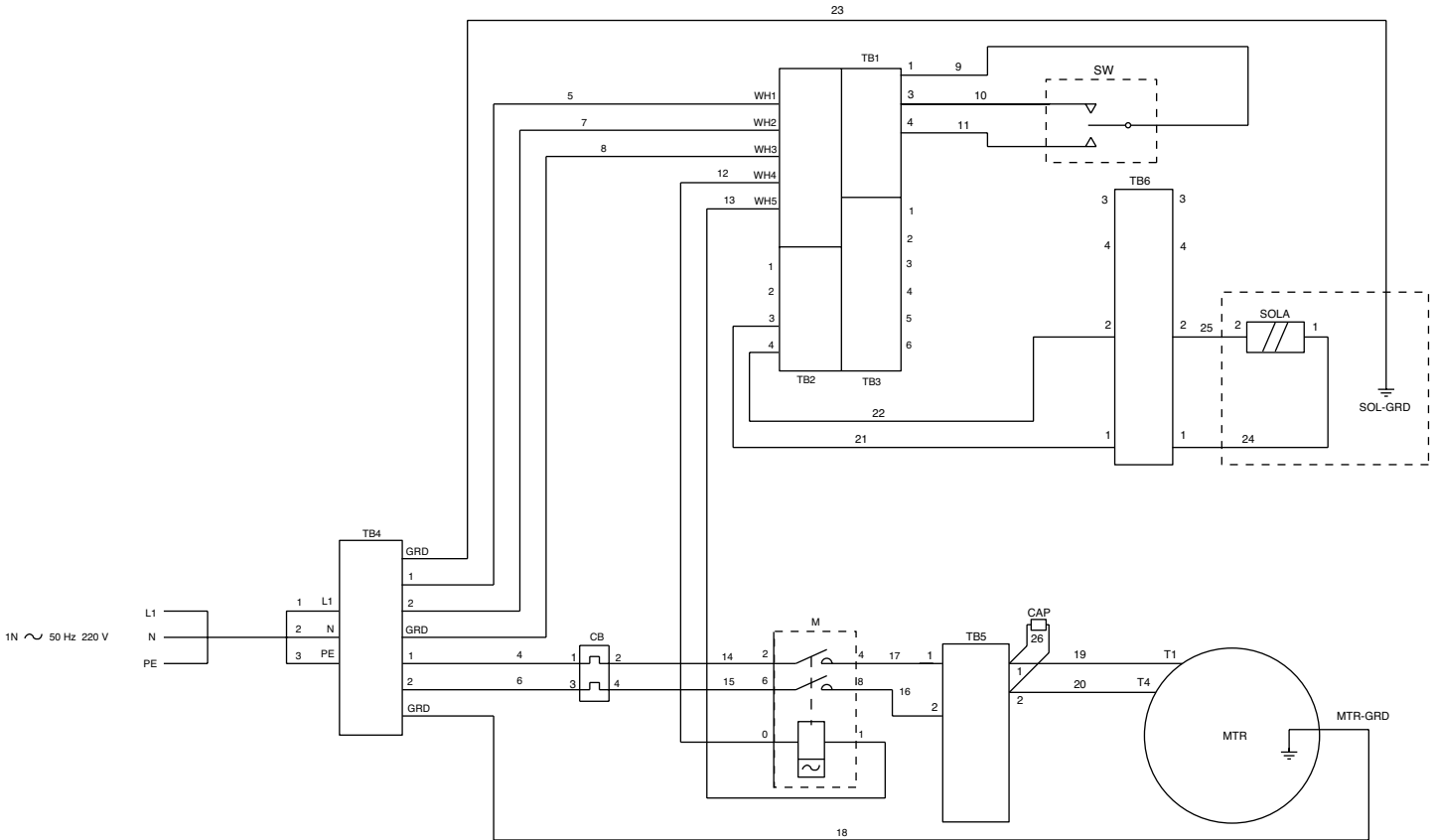
(Dwg. No. 422038)

**For MODEL C PE55 Series pumps, 110 V.
with single phase universal motors and manual valves:**



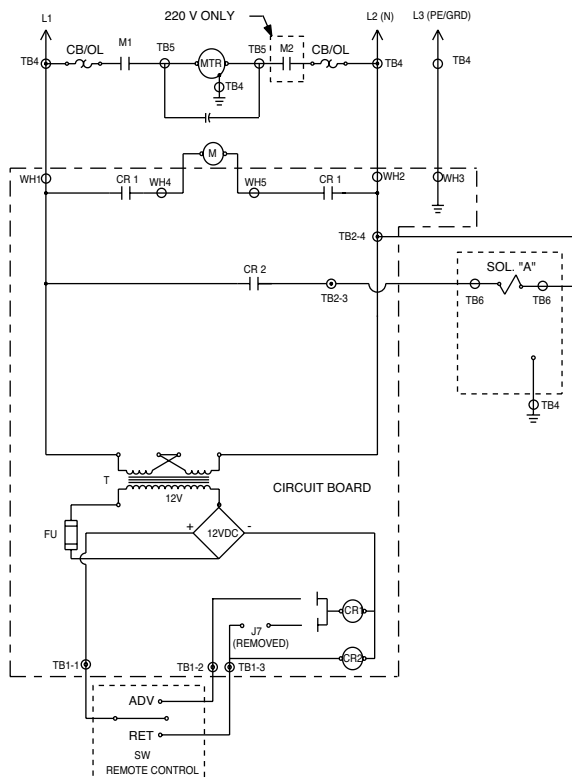
(Dwg. No. 422037)

**For MODEL C PE55 Series pumps, 220 V.
with single phase universal motors and solenoid (1 coil) valves:**

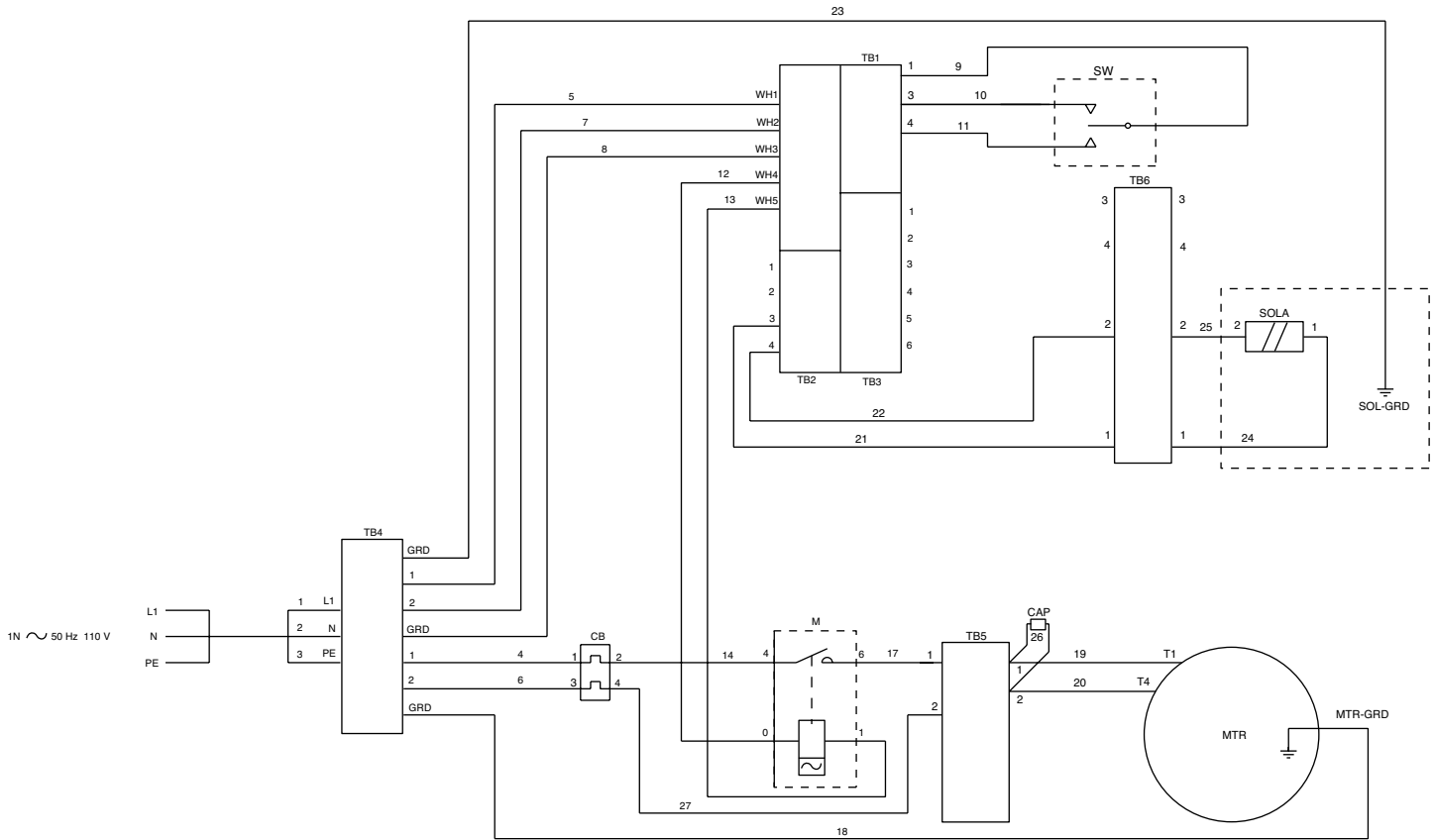


ELECTRICAL SCHEMATIC
110/220 V., 50 Hz.

(Dwg. No. 422040)

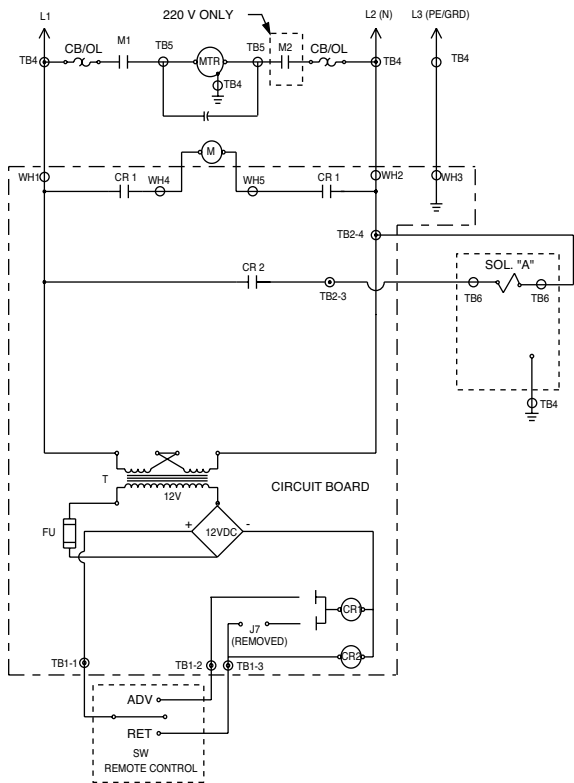


**For MODEL C PE55 Series pumps, 110 V.
with single phase universal motors and solenoid (1 coil) valves**

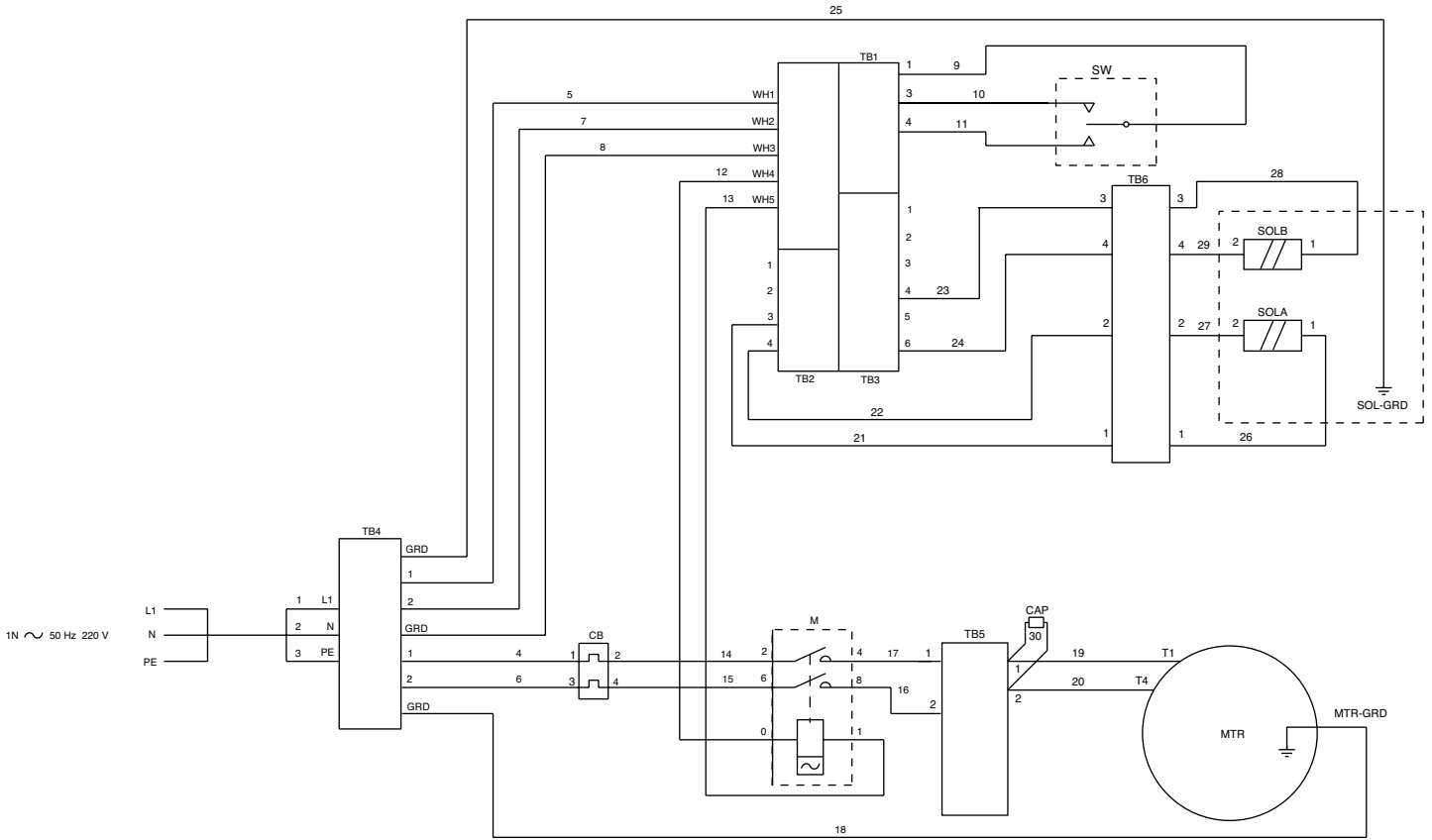


ELECTRICAL SCHEMATIC
110/220 V., 50 Hz.

(Dwg. No. 422039)

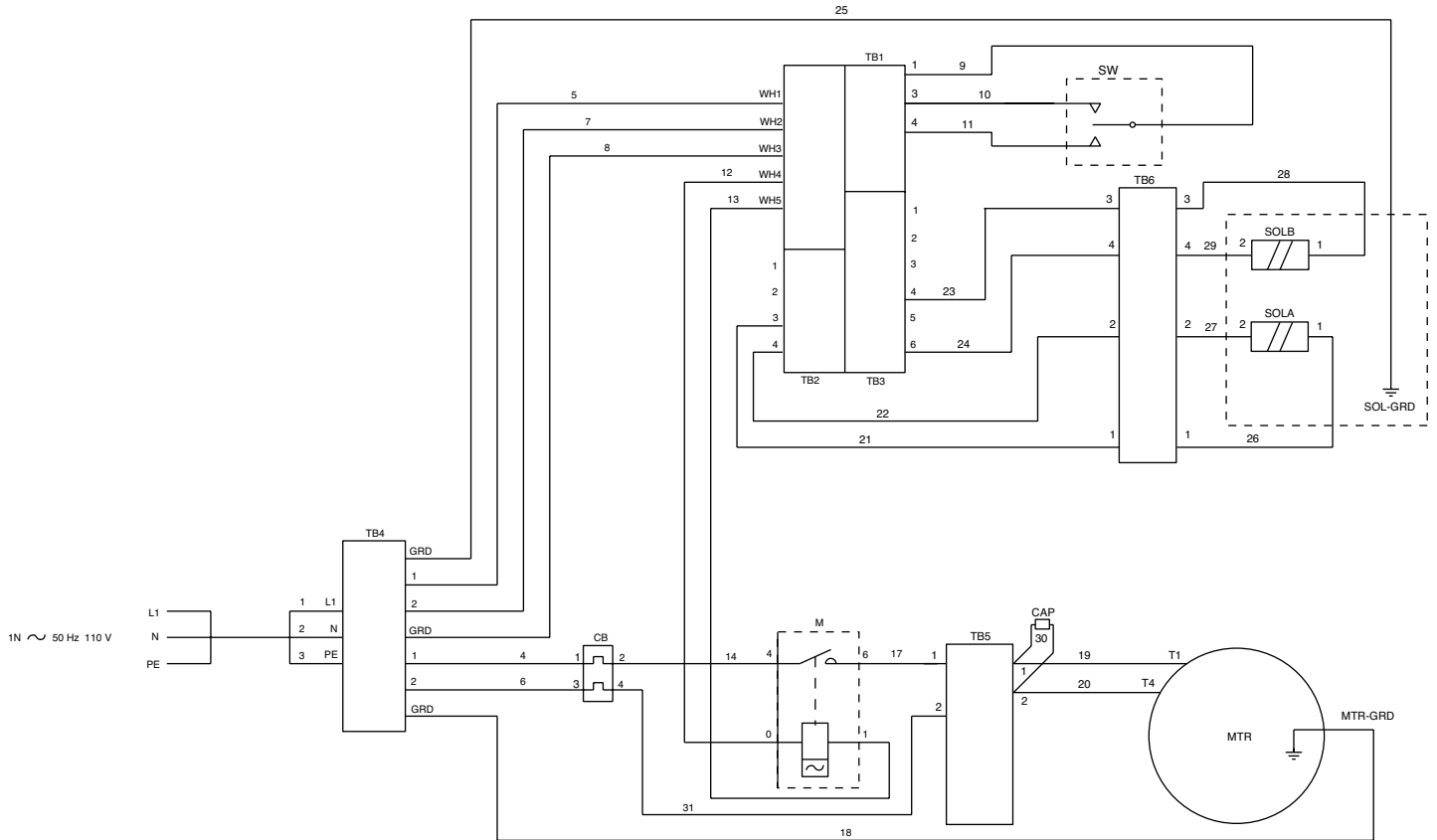


For **MODEL C PE55 Series pumps, 220 V.**
 with single phase universal motors and 3-way solenoid (2 coil) valves:



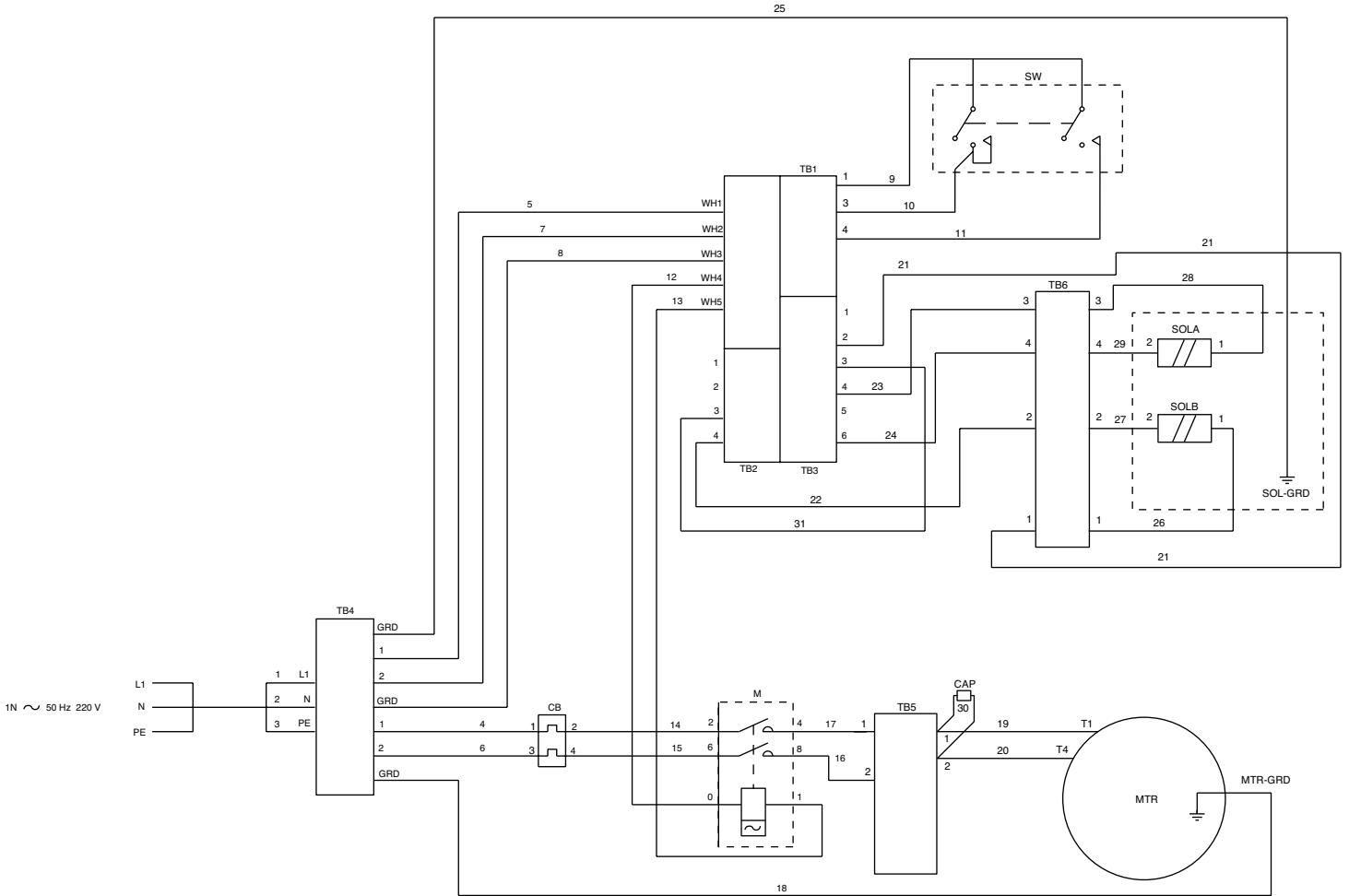
(Dwg. No. 422028)

**For MODEL C PE55 Series pumps, 110 V.
with single phase universal motors and 3-way solenoid (2 coil) valves:**



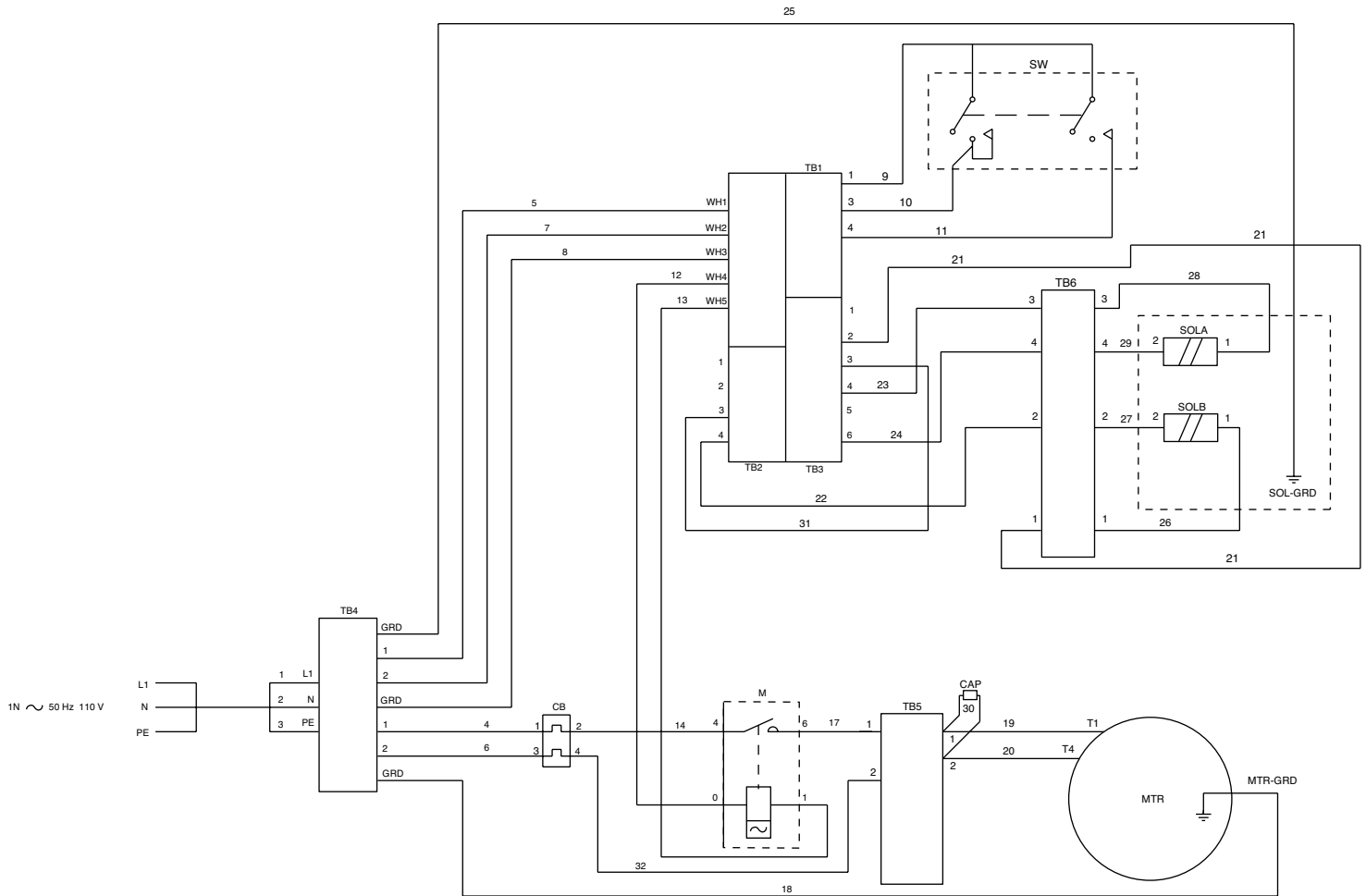
(Dwg. No. 422029)

For MODEL C PE55 Series pumps, 220 V. with single phase universal motors and 3/4-way solenoid (2 coil) valves with OFF/RETRACT/ADVANCE remote switches:



(Dwg. No. 422033)

For **MODEL C PE55 Series pumps, 220 V. with single phase universal motors**
and 3/4-way solenoid (2 coil) valves with OFF/RETRACT/ADVANCE remote switches:



(Dwg. No. 422032)