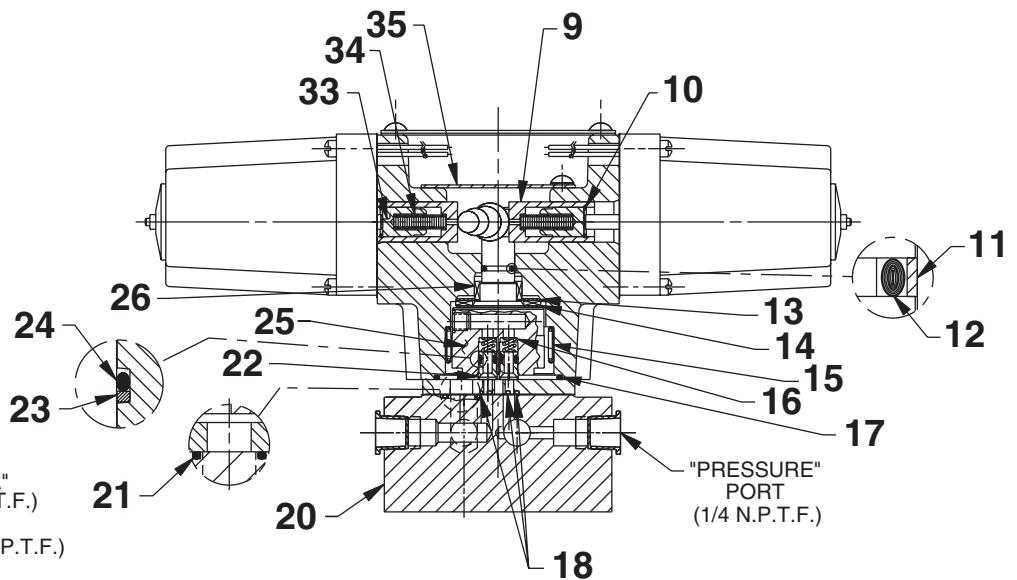
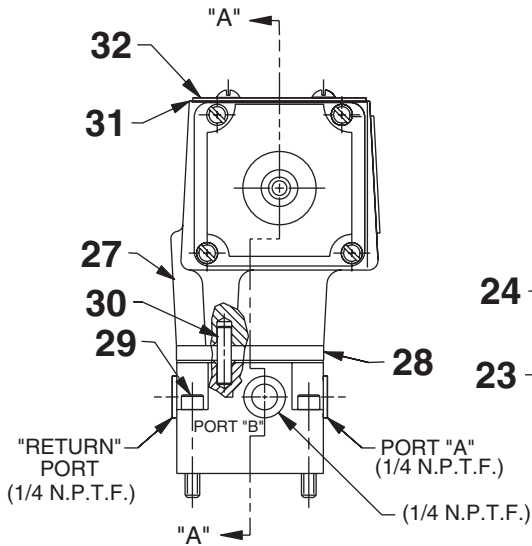
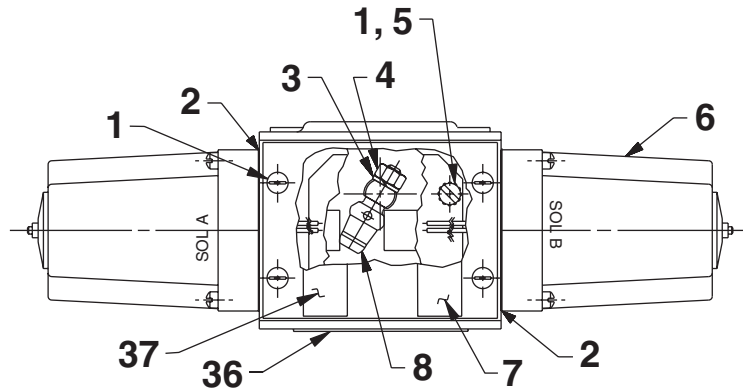


Parts List for:

9524  
9554  
9593  
66211

## MODEL B TWO POSITION, 4-WAY, PUMP-MOUNTED, SOLENOID-OPERATED VALVE ASSEMBLY

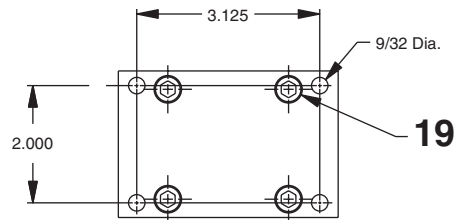


SECTION "A"- "A"

Refer to any operating instructions included with the product for detailed information about operation, testing, disassembly, and preventive maintenance.

Items found in this parts list have been carefully tested and selected. **Therefore: Use only genuine Power Team replacement parts!**

Additional questions can be directed to our Technical Services Department.



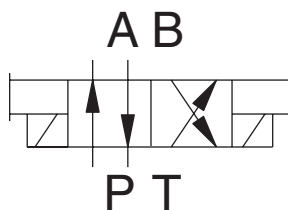
MOUNTING HOLE DIMENSIONS

# Parts List, Form No. 108077, Back sheet 1 of 1

Item No.	Part No.	No. Req'd	Description	Item No.	Part No.	No. Req'd	Description
1	10164	5	Machine Screw (#10-24 UNC x 3/8 Lg.)	22	303935	2	Shear Seal
2	303980	2	Stop Plate	23	*15174	2	Backup Washer (5/16 x 3/16 x 3/64)
3	10245	1	Lockwasher (For 1/4" bolt)	24	*10265	2	O-ring (5/16 x 3/16 x 1/16; Nitrile)
4	15504	1	Locknut		11437	2	O-ring (5/16 x 3/16 x 1/16; Viton)
5	11108	1	Lockwasher (#10 external tooth)		17714	2	O-ring (5/16 x 3/16 x 1/16; EPR)
6	304068	2	Solenoid (115 V., 50/60 Hz; For 9593)	25	52064	1	Rotor
	304069	2	Solenoid (230 V., 50/60 Hz; For 9524)	26	208671	1	Needle Roller Bearing
	304070	2	Solenoid (24 V., 50/60 Hz.; For 9554)	27	61077	1	Valve Body
7	209383	1	Patent Decal	28	421896	1	Subplate
8	304030	1	Lever (Lubricate at assembly)	29	10022	4	Soc. Hd. Machine Screw (1/4-20 UNC x 1-1/2 Lg.; Note When using this valve on a PE30 Series pump order (4) 12001 Screws for mounting valve to pump.)
9	303968	2	Actuator Plunger (Lubricate at assembly)	30	252309	2	Spring Pin
10	11522	2	Retaining Ring (For 1/2" hole)	31	303986	1	Cover Gasket
11	*208672	1	Glyd Ring	32	303976	1	Cover
12	*10268	1	O-ring (1/2 x 3/8 x 1/16; Nitrile)	33	208590	2	Spring Guide (Lubricate at assembly)
	11439	1	O-ring (1/2 x 3/8 x 1/16; Viton)	34	13960	2	Comp. Spring (1/4 O.D. x 1-1/2 Lg.)
	17716	1	O-ring (1/2 x 3/8 x 1/16; EPR)	35	303977	1	Inner Cover
13	15935	2	Thrust Washer	36	352035	1	Trade Name Decal (For 9593)
14	12188	1	Roller Bearing		352036	1	Trade Name Decal (For 9524)
15	17505	1	Needle Roller Bearing		352037	1	Trade Name Decal (For 9554)
16	15095	2	Comp. Spring (1/4 O.D. x 15/32 Lg.)	37	421846	1	Warning Decal
17	*214699	1	O-ring (2-3/16 x 2" x 3/32; Urethane)	<b>PARTS INCLUDED BUT NOT SHOWN</b>			
	19017	1	O-ring (Viton)	9689	2	Straight Fitting	
	250400	1	O-ring (EPR)	16797	2	90° Elbow Fitting	
18	*15023	3	O-ring (5/16 x 3/16 x 1/16; Urethane)	352035	1	Specifications Decal (For 9593)	
	11437	3	O-ring (5/16 x 3/16 x 1/16; Viton)	352036	1	Specifications Decal (For 9524)	
	17714	3	O-ring (5/16 x 3/16 x 1/16; EPR)	352037	1	Specifications Decal (For 9554)	
19	252308	2	Soc. Hd. Cap Screw (5/16-18 x 2-1/4 Lg.; Torque to 170/180 in. lbs.)				
20	66213	1	Subplate				
21	*16164	1	O-ring (.63 x .50 Urethane)				
	11440	1	O-ring (.63 x .50 Viton)				
	12399	1	O-ring (.63 x .50 EPR)				

Part numbers marked with an asterisk (\*) are contained in Repair Kit No. 300332.

## SPECIFICATIONS



UNIT SCHEMATIC

2-POSITION, 4-WAY  
SOLENOID OPERATED  
PUMP MOUNTED

RATED PRESSURE = 10,000 P.S.I.  
RATED CASE PRESSURE = 1,000 P.S.I.  
RATED FLOW = 5 G.P.M.

### FUNCTION:

"A" POSITION: (SOLENOID "A")  
HYD. PRESSURE TO "A" PORT,  
"B" PORT TO TANK.

"B" POSITION: (SOLENOID "B")  
HYD. PRESSURE TO "B" PORT,  
"A" PORT TO TANK.

### NOTE:

ALL PORTS OPEN TO TANK DURING  
TRANSITION BETWEEN VALVE POSITIONS.

ELECTRICAL:	220 VAC. 50/60 HZ.	115 VAC. 50/60 HZ.	24 VAC. 50/60 HZ.
INRUSH CURRENT	2.6/2.8 AMP.	4.9/5.3 AMP.	24/24.5 AMP.
HOLDING CURRENT	.25/.31 AMP.	.6/.6 AMP.	2.8/2.9 AMP.