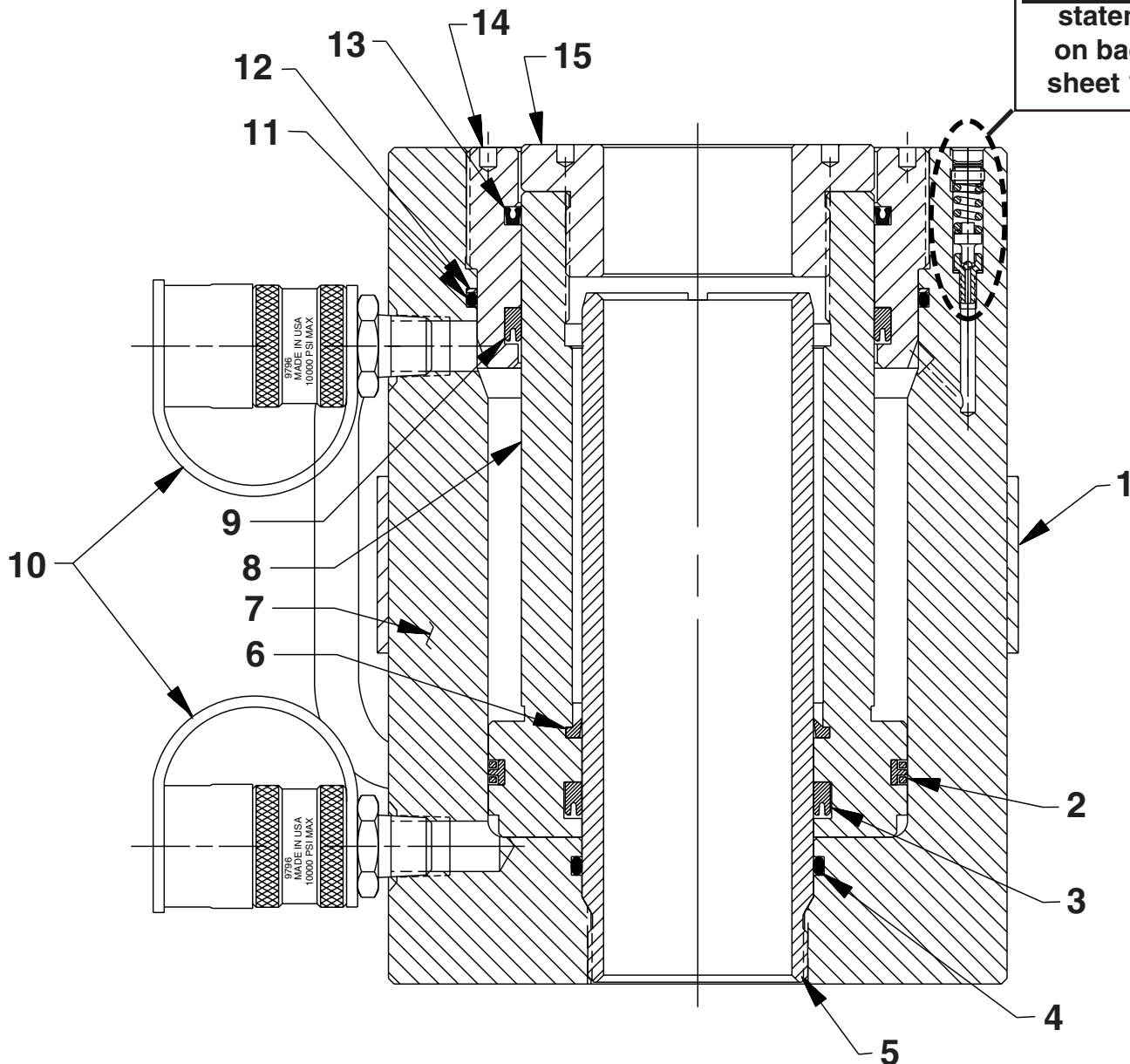


MODEL A
DOUBLE-ACTING, HOLLOW CENTER, ALUMINUM
HYDRAULIC CYLINDER
Max. Capacity: 61.5 Ton at 10,000 PSI

Double-acting
Cylinder
Relief Valve

See important
! DANGER
statement
on back of
sheet 1 of 1



 **DANGER** To help avoid possible serious personal injury or death,

- In the event that the cylinder retract port is ever restricted or plugged, a double-acting cylinder relief valve will help prevent excessive pressure from building in the cylinder. **DO NOT** attempt to adjust or service this relief valve! If oil leakage is detected from this relief valve, discontinue use of the cylinder immediately and contact Power Team Technical Services. Only Power Team Authorized Hydraulic Service Centers should service this relief valve.
- Never apply heat to an aluminum body cylinder as this may damage the cylinder and cause it to fail.

Item No.	Part No.	No. Req'd	Description
1	421732BK2	1	Handle, Cylinder Lift
2	*14333	1	U-cup (3.00 x 2.63 x .38 H; Note: Smooth side of backup rings must be against seal.)
3	*14334	1	T-seal (4.75 x 4.38 x .27 L)
4	*19042	1	O-ring (2.87 x 2.62 Viton)
5	421725	1	Standpipe (Apply primer and Loctite 242. Bottom out and back off [.010] 1/8 revolution.)
6	*207721	1	Wiper, Rod (3.00 x 2.63 Urethane)
7	65839	1	Body, Cylinder
8	422066	1	Rod, Piston
9	*14335	1	U-cup (4.38 x 4.00 x .38 H)
10	9796	2	Coupler, Quick Cylinder Half
11	*14336	1	O-ring (5.25 x 5.00 Urethane)
12	*206807	1	Washer, Backup (5.25 x 5.00)
13	214497	1	Wiper, Rod
14	501054	1	Nut, Retainer
15	350002	1	Insert, Plain
PARTS INCLUDED BUT NOT SHOWN			
	*203908	1	Decal, Warning

Part numbers marked with an asterisk (*) are contained in Standard Repair Kit No. 300269.

Refer to any operating instructions included with this product for detailed information about operation, testing, disassembly, reassembly, and preventive maintenance.

Items found in this parts list have been carefully tested and selected. **Therefore: Use only genuine Power Team replacement parts!**

Additional questions can be directed to our Technical Services Department.