

MAXIMUM OUTPUT HYDRAULIC POWER PACKAGE



pump.

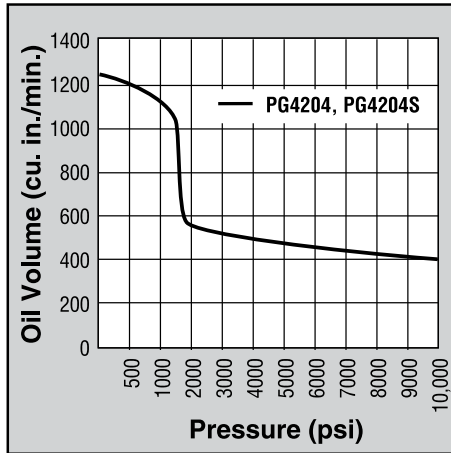
**PG4204/PG4204S****PG420 Series Maximum Output Hydraulic Power Package**

- Two-speed high performance pumps ideal for construction, structure moving and rigging applications
- A logical choice at work sites where electricity or compressed air are unavailable. For single or double-acting cylinders operating a pressures up to 10,000 psi.
- Powerful 4-cycle, 20 hp Honda engine provides 400 cu. in. of oil at maximum operating pressure.
- 20 gallon hydraulic oil reservoir (17 gal usable) with a low oil level sight gauge
- All gasoline engine/hydraulic pumps feature Posi-Check® valves to guard against pressure loss when the valve is shifted from “advance” to “hold”.
- Steel “roll cage” protects pump and has 4” diameter swivel casters to provide mobility
- Lifting hook integrated to roll cage for hoisting or storage on a job site.
- Includes a sturdy, molded case to protect the battery (battery not included)
- Uses 9506 or 9516 4-way valve.
- On/off switch and speed control are protected by a panel.
- Adjustable external pressure regulator.

PG420 SERIES

Specifications and Dimensional Data

Typical Flow Curve:



Size: (L x W x H): 52" x 52" x 50.25"
1321 cm x 1321 cm x 1276 cm

Weight: Lbs/Kg: 440 lbs / 200 kg (with Oil)

Maximum Oil Capacity: (vented reservoir)
17 Gallons / 64L (useable)

Operating Environment:

Temperature: -15°C to 43°C / -5°F to +110°F
(When operating near temperature extremes, it is recommended to use hydraulic/motor oils that are rated for those temperatures. Refer to service manuals.)

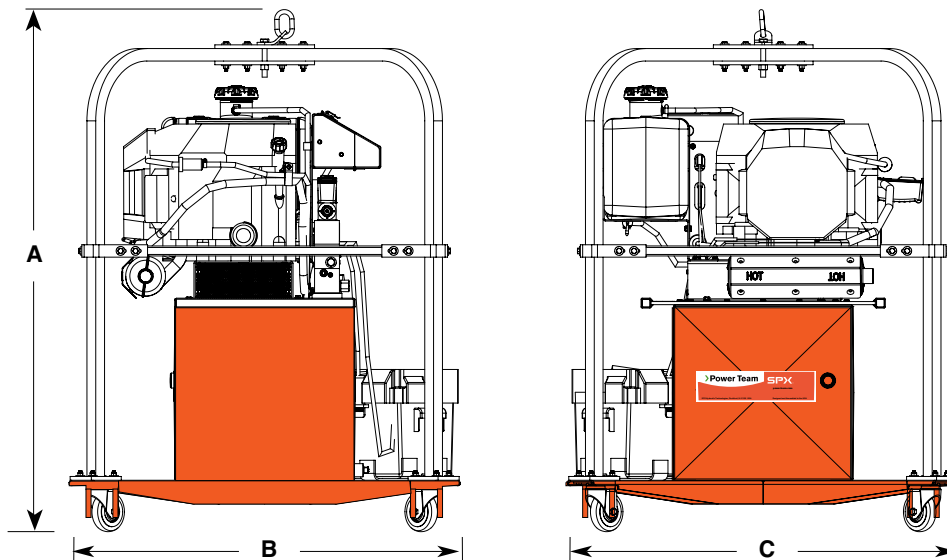
Sound Level: 93 db at 1 meter under continuous rated power.

Pressure: 0 – 10,000 psi (0 – 690 bar)

Typical Flow: 225 cu-in/min – 39 cu-in/min
3.7 L/min – 0.64 L/min

Power:

20 HP Honda Gas Powered Engine



Item	Max. Pressure Output (psi)	Valve	Oil Delivery (cu. in./min.@)				A (in.)	B (in.)	C (in.)	Product Weight W/Oil (lbs.)
			100 (psi)	1,000 (psi)	5,000 (psi)	10,000 (psi)				
PG4004	10,000	9506	1,240	1,120	475	400	50.25"	52"	52"	435
PG4004S	10,000	9516	1,240	1,120	475	400	50.25"	52"	52"	440



powerteam.com