

LOW PROFILE

RLS Series

5-150 Ton

Single-Acting, Spring Return

IDEAL FOR CONFINED AREAS FROM 1-5/8" TO 4" CLEARANCE.

- Cylinder body, piston and gland nut "Power Tech" treated for corrosion and abrasion resistance (see page 8).
- Standard domed piston rod (5-30 ton) or swivel cap (50-150 ton) minimize effects of off-center loading.
- Unique heavy duty spring provides fast piston return.
- A 9796 3/8" NPTF female half coupler is standard with each cylinder (the RLS50 has a 3/8" coupler which is not angled). Oil ports are 3/8" NPTF.
- Couplers on all cylinders, except RLS50, are angled upward for extra clearance.



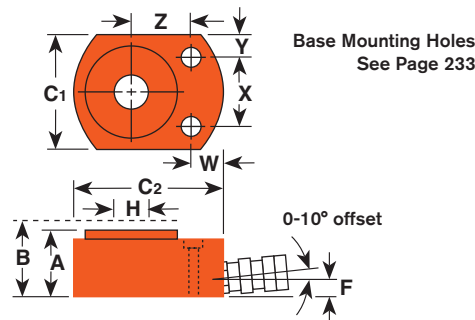
RLS100



RLS1000S



ASME B30.1
10,000 PSI



Cyl. Cap. (tons)	Stroke (in.)	Order No.	Oil Cap. (cu. in.)	A Re-tracted Height (in.)	B Ex-tended Height (in.)	C1 & C2 Outside Dia. (in.)	F Base to Port (in.)	H Rod Prod. Dia. (in.)	W	X	Y	Z	Bore Dia. (in.)	Cyl. Area (sq. in.)	Eff. Press. (psi)	Int. at 10,000 psi	
																Cap.	Tons
5	9/16	RLS50	.62	1 5/8	2 3/16	1 5/8 x 2 9/16	3/4	5/8	3/4	1 1/8	1/4	1	1 1/8	.994	10,061	4.97	2.2
10	7/16	RLS100	1.0	1 3/4	2 3/16	2 3/16 x 3 1/4	5/8	3/4	1 1/16	1 7/16	3/8	1 5/16	1 11/16	2.236	8,943	11.18	3.3
20	7/16	RLS200	2.0	2	2 7/16	3 x 4	2 1/32	1 1/8	2 3/32	1 15/16	1 7/32	1 9/16	2 3/8	4.430	9,029	22.15	5.6
30	1/2	RLS300	3.2	2 5/16	2 13/16	3 3/4 x 4 1/2	2 3/32	1 3/8	1 3/16	2 1/16	2 7/32	1 3/4	2 7/8	6.492	9,242	32.46	8.6
50	5/8	RLS500S	6.0	2 5/8	3 1/4	4 1/2 x 5 1/2	2 7/32	1 3/4	1 5/16	2 5/8	1 5/16	2 1/8	3 1/2	9.621	10,394	48.10	14.0
75	5/8	RLS750S	9.9	3 1/8	3 3/4	5 17/32 x 6 1/2	1	2 1/8	1 5/16	3	1 17/64	2 19/32	4 1/2	15.904	9,431	79.52	23.3
100	5/8	RLS1000S	12.3	3 3/8	4	6 x 7	1	2 1/2	1 3/16	3	1 1/2	2 13/16	5	19.635	10,186	98.17	30.0
150	9/16	RLS1500S	17.2	4	4 9/16	7 1/2 x 8 1/2	1 5/16	3	1 5/16	4 5/8	1 7/16	3 1/8	6 1/4	30.680	9,778	153.39	52.0