

LOCKING COLLAR

RC Series

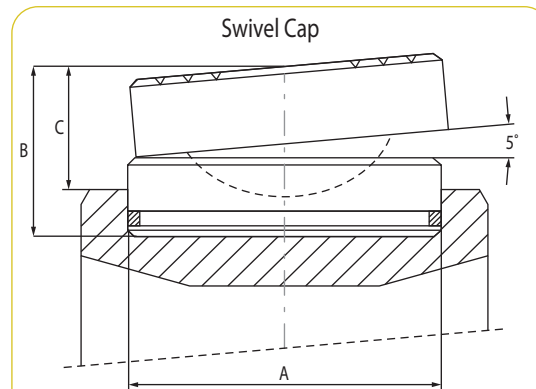
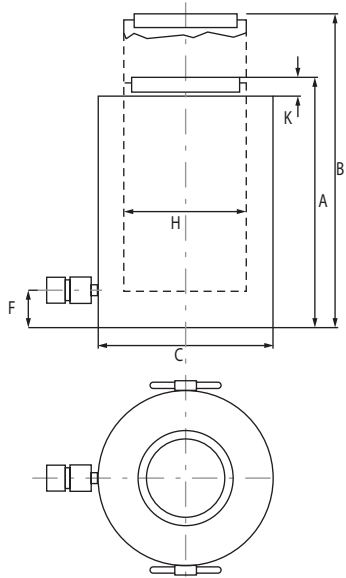
740 & 1220

Single-Acting, Load Return

POSITIVE MECHANICAL LOCK TO SUPPORT LOAD.



Single-Acting Locking Collar Cylinders



Order No.	Used with Cyl. Order No.	A (in.)	B (in.)	C (in.)	Product Wt (lbs.)
2000822	RC740*L	7.9	3.1	2.2	42.5
2000823	RC965*L	9.8	4.1	3.0	88.2
2000825	RC1220*L	12.7	6.9	4.9	249.1

Cyl. Cap. (tons)	Stroke (in.)	Order No.	Oil Cap. (cu. in.)	A Retracted Height (in.)	B Extended Height (in.)	C Outside Dia. (in.)	F Base to Port (in.)	H Bore Dia. (in.)	K Piston Rod Protrusion (in.)	Piston Thr. Dia. (in.)	Cyl. Eff. Area (cu. in.)	Tons @ 10,000 psi	Product Wt. (lbs.)
740	2.0	RC7402L	293	12.0	14.0	16.9	2.6	13.8	0.2	13.8 x 6	149.1	746	756
740	6.0	RC7406L	880	16.5	22.4	16.9	2.6	13.8	0.2	13.8 x 6	149.1	746	1,043
740	10.0	RC74010L	1,468	21.1	30.9	16.9	2.6	13.8	0.2	13.8 x 6	149.1	746	1,332
965	2.0	RC9652L	383	12.8	14.8	19.3	2.8	15.7	0.2	15.7 x 6	194.7	973	1,045
965	6.0	RC9656L	1,150	17.3	23.2	19.3	2.8	15.7	0.2	15.7 x 6	194.7	973	1,418
965	10.0	RC96510L	1,917	21.9	31.7	19.3	2.8	15.7	0.2	15.7 x 6	194.7	973	1,792
1220	2.0	RC12202L	485	13.4	15.4	21.7	3.1	17.7	0.2	17.7 x 6	246.5	1232	1,501
1220	6.0	RC12206L	1,456	19.1	25.0	21.7	3.1	17.7	0.2	17.7 x 6	246.5	1232	1,971
1220	10.0	RC122010L	2,426	23.6	33.5	21.7	3.1	17.7	0.2	17.7 x 6	246.5	1232	2,441