

# H FRAME PRESSES

## 150-200 Ton Presses

- Standing 7½-feet tall, these giants handle the really big jobs. May be used horizontally for special pressing applications with user-supplied supports.
- Workhead has wide horizontal travel; rugged press frame withstands load of rated capacity across full width of frame.
- Winch mechanism provides easy positioning of press bed, locks in place for insertion of retaining pins. Upper bolster can be lowered 11" for convenient positioning on repetitive jobs.
- Uprights are placed for easy side entry of bars or shafts for straightening or bending.
- Fast cylinder approach is provided by PQ1204S "Quiet" electric/hydraulic pump. Has remote control hand switch, enabling operator to view work from all sides with fingertip control of cylinder piston travel.

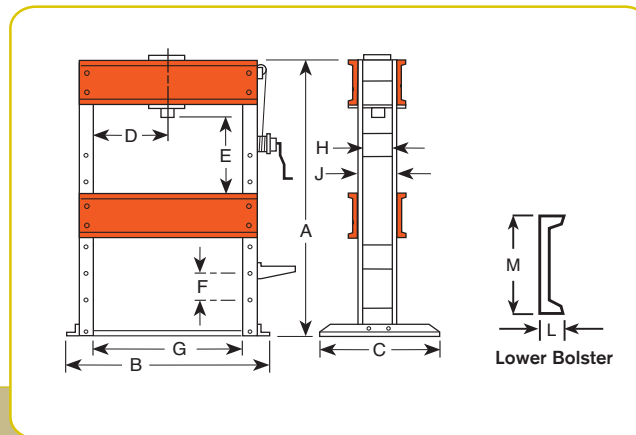


Hydraulic gauge and hydraulic fittings are included with presses.

### PUMP ELECTRICAL SPECIFICATIONS

**PQ120 Series** – 3 hp, 460 volt, 60 cycle, three phase. Also available in 220/380 volt, 50 cycle, add suffix "-380" to order no.

**NOTE:** To order press with 230 volt, 60 cycle, single phase pump, order press less PQ1204S. Order pump No. PQ604S separately.



### DIMENSIONS

A (in.)	B (in.)	C (in.)	D* (in.)	E (in.)	F (in.)	G (in.)	H (in.)	J (in.)	L (in.)	M (in.)	Floor Space (in.)
90	71	44	11 - 39	9 - 43¾	11	50	12½	15	4⅞	18	44 x 71

\*Lateral head movement

### ORDERING INFORMATION

Capacity (tons)†	Type of Cylinder Used	Stroke	Cylinder Model	Order No.	Speed (in./min.)††	Advance Pressing	Type Pump	Valve Type	Pump Model***	Prod. Wt. (lbs.)
150	Double-Acting	13⅞"	RD15013	<b>SPE15013DS</b>	24	3.9	Electric*	4-way**	PQ1204S	3,015
200	Double-Acting	13⅞"	RD20013	<b>SPE20013DS</b>	18	2.9	Electric*	4-way**	PQ1204S	3,276

† Frame is shipped assembled.

†† Typical performance based on 100 psi and 10,000 psi pump specifications. Actual speeds may vary under operating conditions.

\* Pre-wired at factory for 460V.

\*\* Solenoid valve with 24 volt remote control hand switch.

\*\*\* Pump standard with press. Other Power Team pumps can be substituted. dBA at idle and 10,000 psi: 73/78, measured at 3 foot distance, all sides.