

# INFLATABLE JACKS

13-74 Ton



IJ Series Inflatable Air Jacks

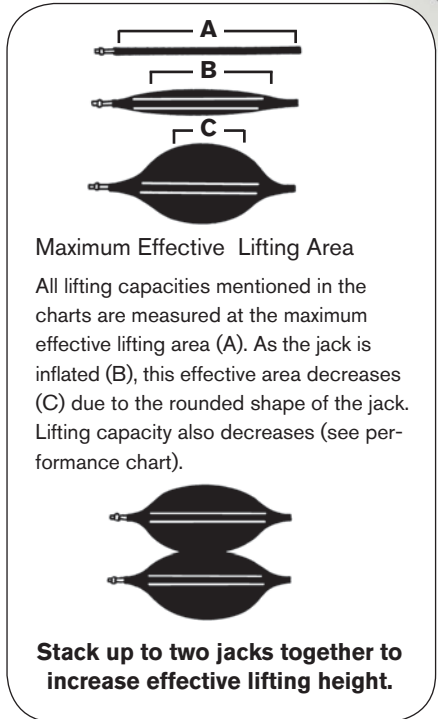


The non-skid space-age reinforced inflatable jack is perfect for many applications.

**BE SAFE!**  
 •INSPECT BEFORE AND AFTER EACH USE.  
 •REPLACE IF ANY SIGNS OF DEGRADATION OR WEAR THAT MAY AFFECT SAFETY OR PERFORMANCE.  
 •KEEP THE PRODUCT CLEAN.  
 •STORE PROPERLY.

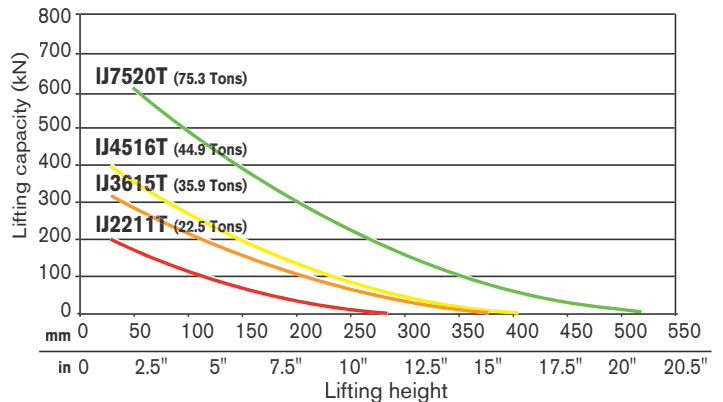
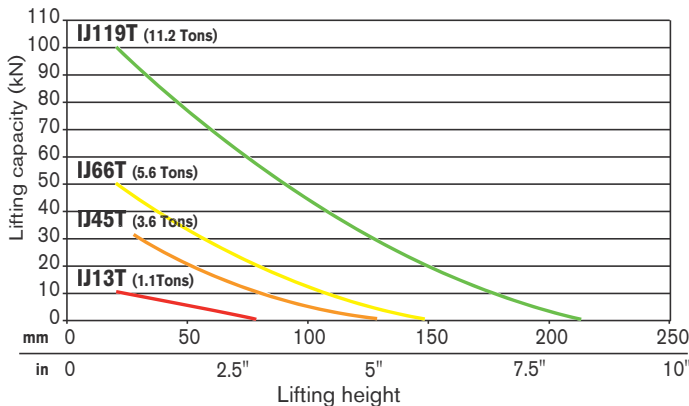


- Uninflated jacks are less than 1" thick, making lifting tasks in small spaces seem routine.
- Constructed of non-conducting, high quality rubber material with multi-layer aramid fiber reinforcement.
- Samples of jacks are pressure tested to 20 bar and cycle tested (10,000 inflate/ deflate cycles at 8 bar for 10,000 inflate/deflate cycles).
- The controller, shut-off and air hoses are all equipped with an industrial interchange style quick disconnect air coupler. Female half coupler bodies have a locking collar to help the operator avoid accidentally disconnecting the jack while under load.
- The top and bottom surface of the jack has a skid resistant, interlocking pattern to assist in alignment of two jacks being used together.
- Single jack controller with "dead man" control (part no. 350090) can be used individually or in multiples to regulate the number of jacks desired.
- Heavy attachment handles are provided on the two largest jacks for attachment of a rope or hook to help in positioning the jack.
- Inflation hose system is color-coded (red and yellow) for easy recognition when using more than one jack.
- The jacks can be used at ambient temperatures of -20°C (-4°F) to + 50°C (+122°F).

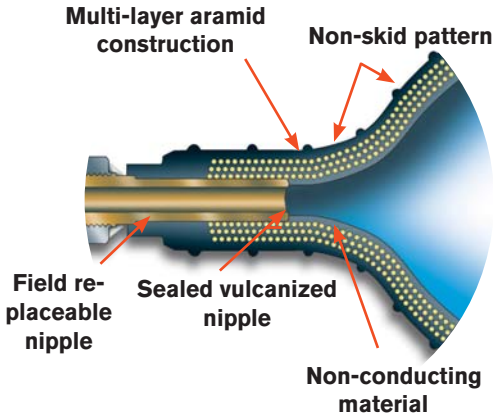


JACKS

## PERFORMANCE



\* NOTE: 350090 air controller may be used individually to control one jack (see single line system), or in multiples to control additional jacks (see dual line system).



**No. 307159** – Pressure reducing valve. Allows use of bottled gases to operate jacks (works on CGA-580 Nitrogen/Argon/Helium bottles). Contains standard bottle fitting on inlet and 1/4" industrial interchange (female) outlet. Wt., 4 lbs.

**No. 350090** – Air controller for single jack. Equipped with relief valve and pressure gauge. Wt., 1.9 lbs.

**No. 350207** – Shut-off hose with shut-off valve and pressure relief valve. Includes a female and male quick coupler. Wt., 0.7 lb.

**No. 350208** – Air hose. Red, 30' long. Includes No. 250341 female and No. 250342 male quick coupler. Wt., 6.0 lbs.

**No. 350209** – Air hose. Same as 350208, except blue in color. Wt., 6.0 lbs.

**No. 250343** – Female quick coupler. 1/4" industrial interchange x 1/8" NPT female. Wt., 0.1 lb.

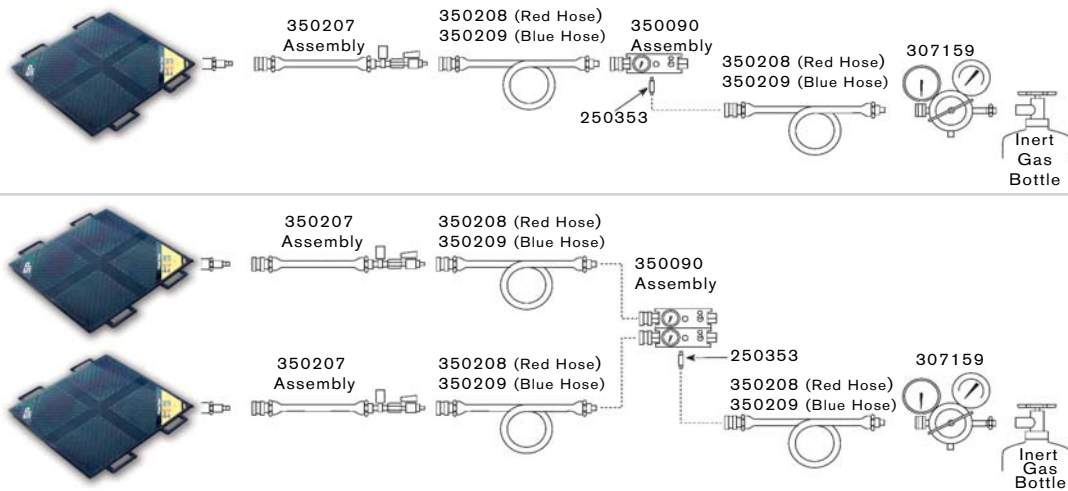
**No. 250353** – Male quick coupler. 1/4" industrial interchange x 1/8" NPT male. Wt., 0.1 lb.

**No. 250682** – Female quick coupler. 1/4" industrial interchange x 1/4" NPT male. Wt., 0.1 lb.

**No. 15235** – Connector 1/8" NPT male x 1/4" NPT female. Wt., 0.1 lb.

**No. 250341** – Female quick coupler. 1/4" industrial x 3/8" I.D. hose. Wt., 0.5 lb.

**No. 250342** – Male Quick coupler. 3/8" I.D. Hose. Wt., 0.1 lb.



ORDERING INFORMATION*								
Lifting Cap. (lbs.)	Lifting Height (in.)	Order Number	Air Volume (cu.ft.)	Water Volume (gal.)	Length (in.)	Width (in.)	Thickness (in.)	Product Weight (lbs.)
2,248	3.1	IJ 13T	0.12	0.18	6	6	0.87	1.3
7,194	5.1	IJ 45T	0.57	0.48	9	9	0.87	3.3
11,240	5.9	IJ 66T	0.80	0.66	11	11	0.87	4.4
22,480	8.5	IJ 119T	2.70	2.24	15	15	0.98	9
44,960	11.4	IJ 2211T	6.67	5.55	20	20	0.98	15.5
71,930	15.0	IJ 3615T	15.89	13.00	26	26	0.98	29
89,920	15.9	IJ 4516T	19.70	16.38	28	28	0.98	33
150,610	20.5	IJ 7520T	42.59	35.40	36	36	0.98	53

\*See current price list for shipping weights.