

PULLER SETS

17 1/2, 30 & 50 Ton

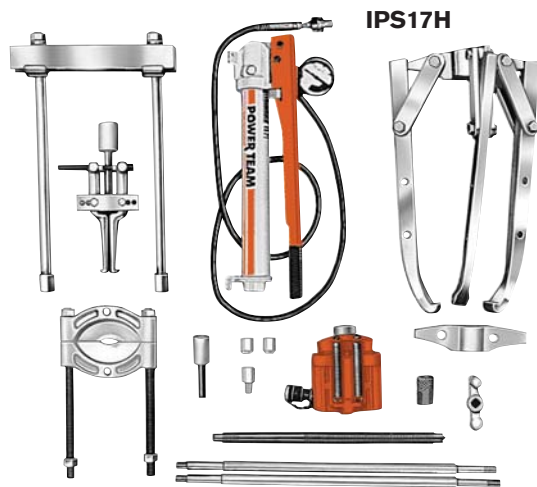
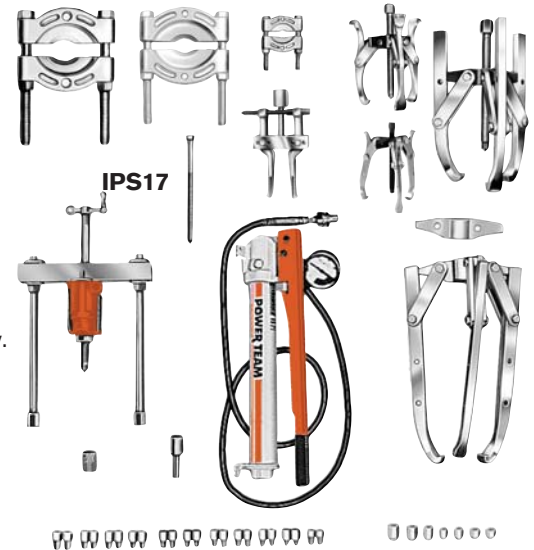


Wooden storage box No. **308435OR9** is included with the sets listed on this page. 36"L x 17 1/2"W x 14"D. Wt. 44 lbs. Metal storage boxes also available (see page 213).

17 1/2 ton hydraulic master puller sets – Having this Power Team puller set at your fingertips will not only reduce your downtime, but also increase your profits.

No. IPS17 – 17 1/2 ton capacity puller set. Includes hydraulics, pullers, wooden storage box and accessories listed below. Wt., 191 lbs.

No. IPS17B – Puller set with MB5 metal box. Wt., 213 lbs.



17 1/2 ton hydraulic puller set - This set includes a 3-jaw puller and a Bi-Directional™ Puller. Ideal for heavy duty applications; put this set to work wherever large gears, bearings, wheels, pulleys, etc. are found.

No. IPS17H – 17 1/2 ton capacity hydraulic puller set. Includes hydraulics, pullers, wooden storage box and accessories listed below. Wt., 137 lbs.

Set Contents	Hydraulics	Set Contents	Accessories
P55	Single-stage hyd. hand Pump assembly	1154	Bearing cup pulling attachment
RT172	17 1/2 ton cylinder with threaded insert	1122	Bearing pulling attachment
9798	Hose half coupler	1123	Bearing pulling attachment
9767	Hydraulic hose – 6'	1130	Bearing pulling attachment
9670	Tee adapter	Threaded Adapters	
9059	Pressure gauge	679	V-belt pulley puling attachment
Pullers		8005	5/8" – 18 F. x 3/8" – 16 M. (2)
1062	17 1/2 ton cap. Bi-Directional™ Puller with 16 1/2" legs	8006	5/8" – 18 F. x 1/2" – 20 M. (2)
24814	Speed crank	8007	5/8" – 18 F. x 1/2" – 13 M. (2)
32118	Adjusting screw	8010	5/8" – 18 F. x 5/8" – 11 M. (2)
201923	Pushing adapter	8013	5/8" – 18 F. x 3/4" – 16 M. (2)
1105	22 1/2" legs (pr)	8015	5/8" – 18 F. x 3/4" – 10 M. (2)
1066	17 1/2 ton 3-jaw hyd. puller	8017	5/8" – 18 F. x 7/8" – 14 M. (2)
1027	Combination 2/3-jaw puller	8018	5/8" – 18 F. x 7/8" – 9 M. (2)
41224	17 1/2 ton 2-jaw puller head	8019	5/8" – 18 F. x 1" – 14 M. (2)
24832	Puller screw	8020	1" – 8 F. x 5/8" – 18 M. (1)
1037	Combination 2/3-jaw puller	8021	1" – 8 F. x 1" – 14 M. (1)
1041	Combination 2/3-jaw puller	8044	Female threaded adapter set
28228	Cylinder cap	8038	5/8" – 18 F. x 3/4" – 16 F. (2)
		8056	Set of 6 shaft protectors (8050-8055)
		8075	Set of 11 shaft protectors (8057-8067)

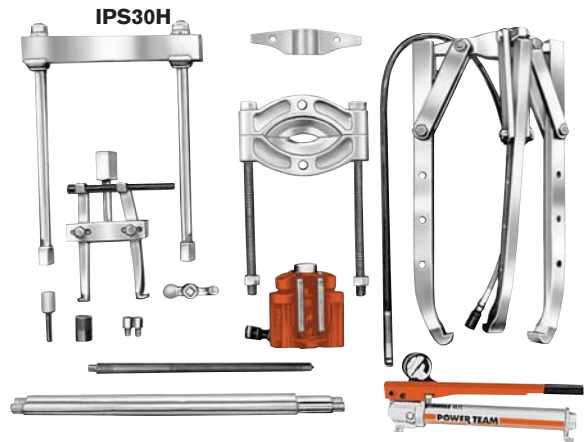
Set Contents	Hydraulics	Set Contents	Accessories
P55	Single-stage hydraulic hand pump assembly	1154	Bearing cup pulling attachment
RT172	17 1/2 ton cylinder with threaded insert	1130	Bearing pulling attachment
9798	Hose half coupler	1105	22 1/2" legs (pr)
9767	Hydraulic hose – 6'	24814	Speed crank
9670	Tee adapter	28228	Screw cap
9059	Pressure gauge	32118	Adjusting screw
Pullers		201454	Pushing adapter
1062	17 1/2 ton cap. Bi-Directional™ Puller with 16 1/2" legs	41224	2-jaw head for 1066
Threaded Adapters		8020	1" – 8 F. x 5/8" – 18 M. (1)
1066	17 1/2 ton 3-jaw hyd. puller	8038	5/8" – 8 F. x 3/4" – 16 F. (2)



30 ton capacity puller set – Just what you need for those big jobs. Not only do you get a 30 ton hydraulic Bi-Directional™ Puller, you also get a 2-jaw and 3-jaw hydraulic puller. Plus, many popular accessories and the hardware to tackle the big jobs right away.

No. IPS30H – 30 ton capacity hydraulic maintenance puller set. Includes hydraulics, pullers, wooden storage box and accessories listed below. Wt., 330 lbs.

Set Contents	Hydraulics	Set Contents	Pullers
P55	Single-stage hydraulic hand pump assembly	1074	30 ton, 3-jaw hyd. puller
RT302	30 ton cylinder with threaded insert	41226	2-way head for 1074
9798	Hose half coupler	1070	30 ton cap. hydraulic Bi-Directional™ Puller with 18" legs
9767	Hydraulic hose – 6'	1111	28" legs for 1070
9670	Tee adapter	27198	Speed crank
9059	Pressure gauge	28229	Screw cap
Accessories		34510	Pushing adapter
8036	Female threaded adapters 1" – 14F. x 1" – 14F. (2)	34758	Adjusting screw
1166	Bearing cup pulling attach.		
1127	Bearing pulling attachment		

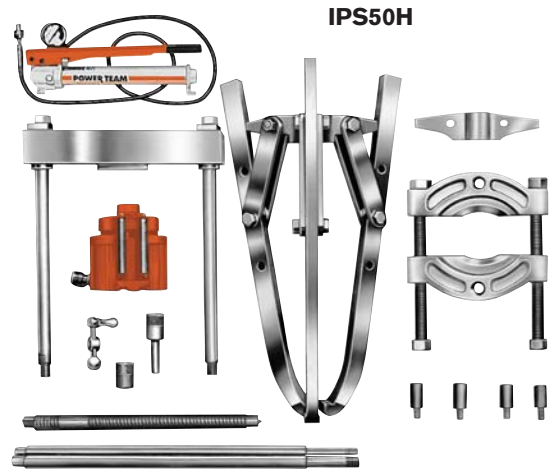


Note: Wooden storage box No. **3084380R9** is provided with the sets listed on this page. 46"L x 22½"H x 30"D. Wt. 92 lbs. Metal storage boxes also available (see page 213).

50 ton capacity puller set - For those really big jobs, this 50 ton puller set is what you need. Just think of the jobs you can do with a 50 ton hydraulic Bi-Directional™ Puller, a 2-jaw and a 3-jaw puller, both with a 50 ton capacity. Of course, you also get many versatile accessories and attachments.

No. IPS50H – 50 ton capacity hydraulic maintenance puller set. Includes hydraulics, pullers, wooden storage box and accessories listed below. Wt., 576 lbs.

Order No.	Hydraulics	Order No.	Pullers
P55	Single-stage hydraulic hand pump assembly	1080	50 ton, 3-jaw hyd. puller
RT503	50 ton cylinder with threaded insert	50449	2-way head for 1080
9798	Hose half coupler	1076	50 ton cap. hydraulic Bi-Directional™ Puller with 24" legs
9767	Hydraulic hose – 6'	1113	34" legs for 1076
9670	Tee adapter	29595	Speed crank
9059	Pressure gauge	28230	Screw cap
Threaded Adapters		34755	Pushing adapter
8024	1¼" – 12F. x 1¾" – 12M(2)	32698	Adjusting screw
8028	1⅝" – 5½ F. x 1" – 8M.	1128	Bearing pulling attachment
8029	1⅝" – 5½ F. x 1" – 14M.		



CAUTION: All the items shown may not withstand the full tonnage specified. Example: When an accessory with a 1 ton capacity is used with a 7 ton puller, the setup can be used only at a force of 1 ton.

